

## Lug Type Butterfly Valves Wafer Type Butterfly Valves

### Lever Operated: DN 50-200 PN 10/16 Class 150



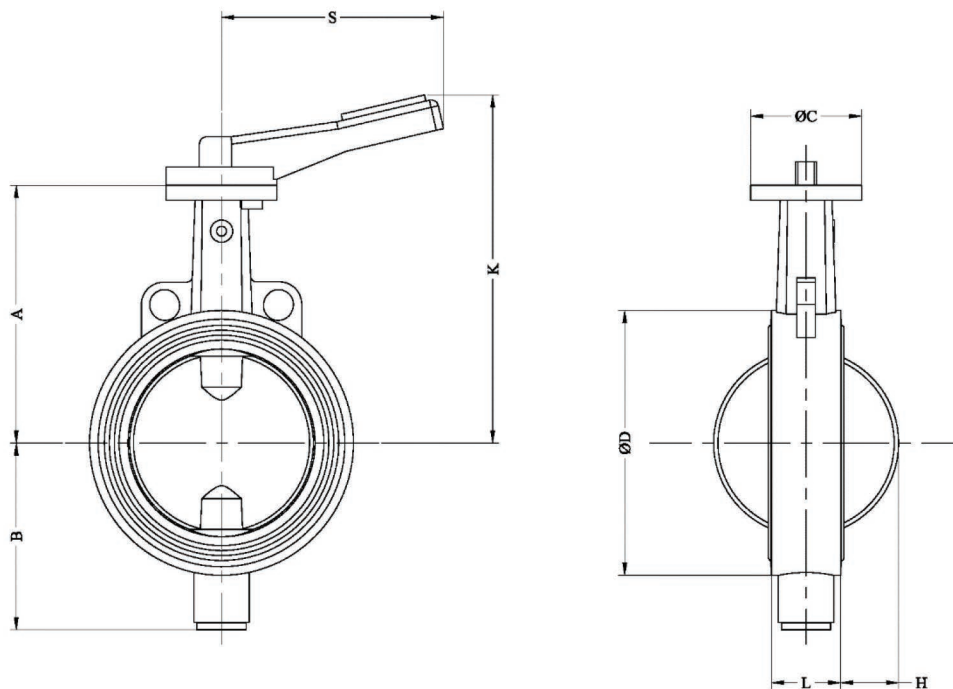
### Gear Operated: DN 250-800 PN 10/16 Class 150



- Design according to: API 609
- Flange drilling according to: ISO 7005-2, DIN EN 1092-2, ASME B16.5 Class150, ASME B16.47 Class150
- Face to face dimension according to: DIN EN 558-Series20 (for DN350 according to ISO 5752-Medium Series), API 609 Cat. A
- Final inspection and test according to: ISO 5208, DIN EN 12266, API 598
- Coating: Epoxy powder paint with electrostatic process-RAL 5005
- Available Material:
  - Body: EN GJS 400-15, ASTM A216-WCB
  - Disk: EN GJS 400-15, CF8, CF8M, ASTM B148 (C95800)
  - Shaft: AISI 420, AISI 304, AISI 316, Duplex, Monel
  - Sealing: EPDM, NBR, Silicon, Viton

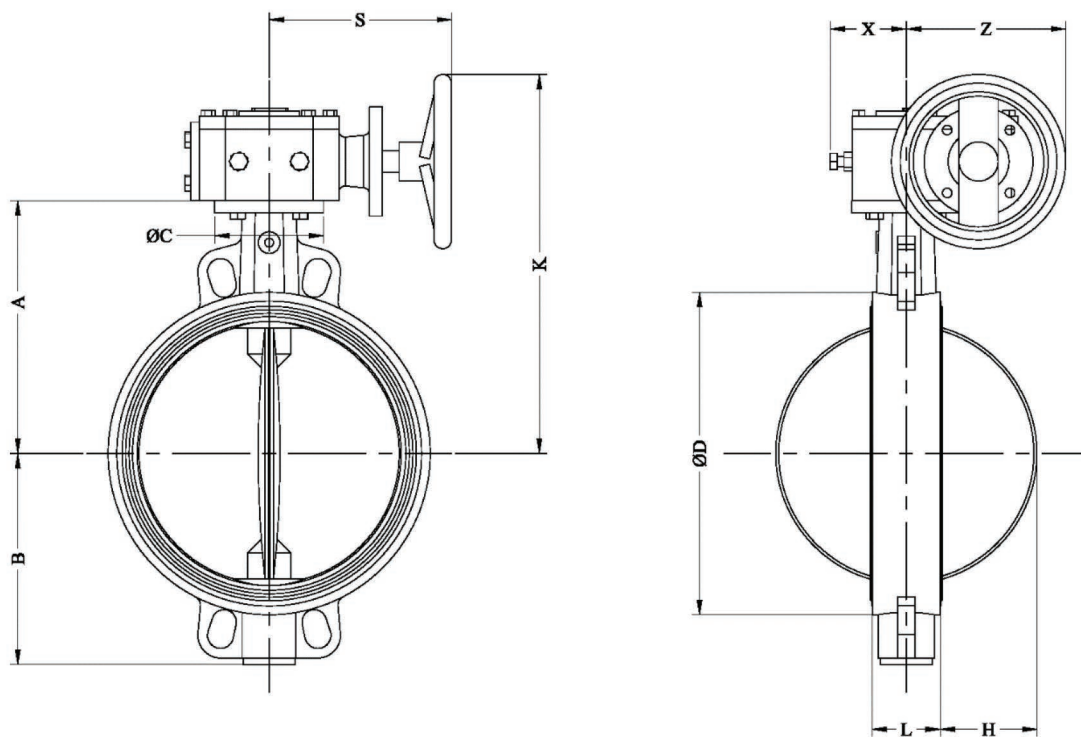
\*\*Valves with special material are manufactured according to customer requirement.

### Wafer Type Butterfly Valves, Lever Operated, DN 50-200 PN 10/16 Class 150



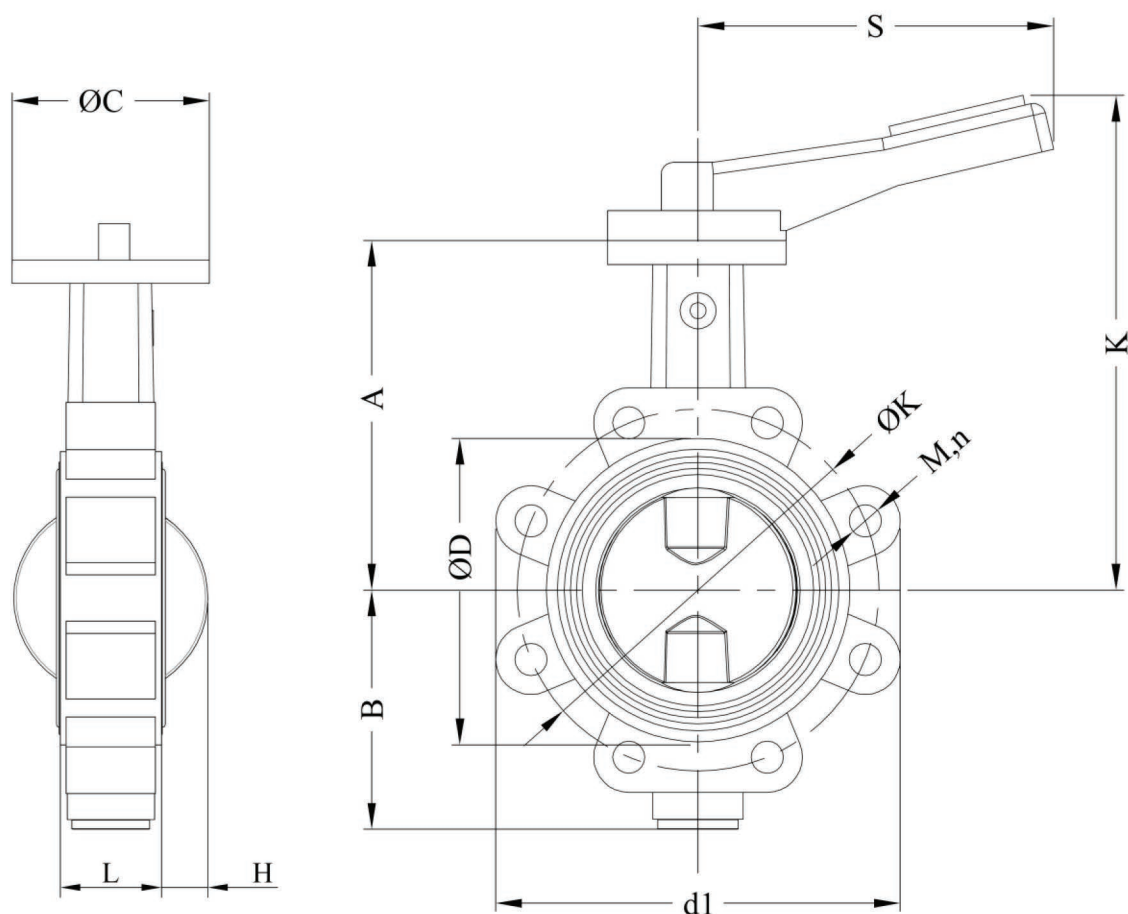
DN [mm]	L [mm]	A [mm]	B [mm]	ΦD [mm]	ΦC [mm]	H [mm]	S [mm]	K [mm]	ISO (5211)	Weight [Kg]
50	43	125	80	95	65	4	190	205	F05	3
65	46	130	85	115	65	10	190	210	F05	4
80	46	140	95	130	65	17	210	245	F05	5
100	52	175	120	150	90	24	210	260	F07	7
125	56	185	130	180	90	35	210	280	F07	9
150	56	210	150	215	90	47	290	320	F07	12
200	60	235	175	270	90	70	290	345	F07	16

### Wafer Type Butterfly Valves, Gear Operated, DN 250-800 PN 10/16 Class 150



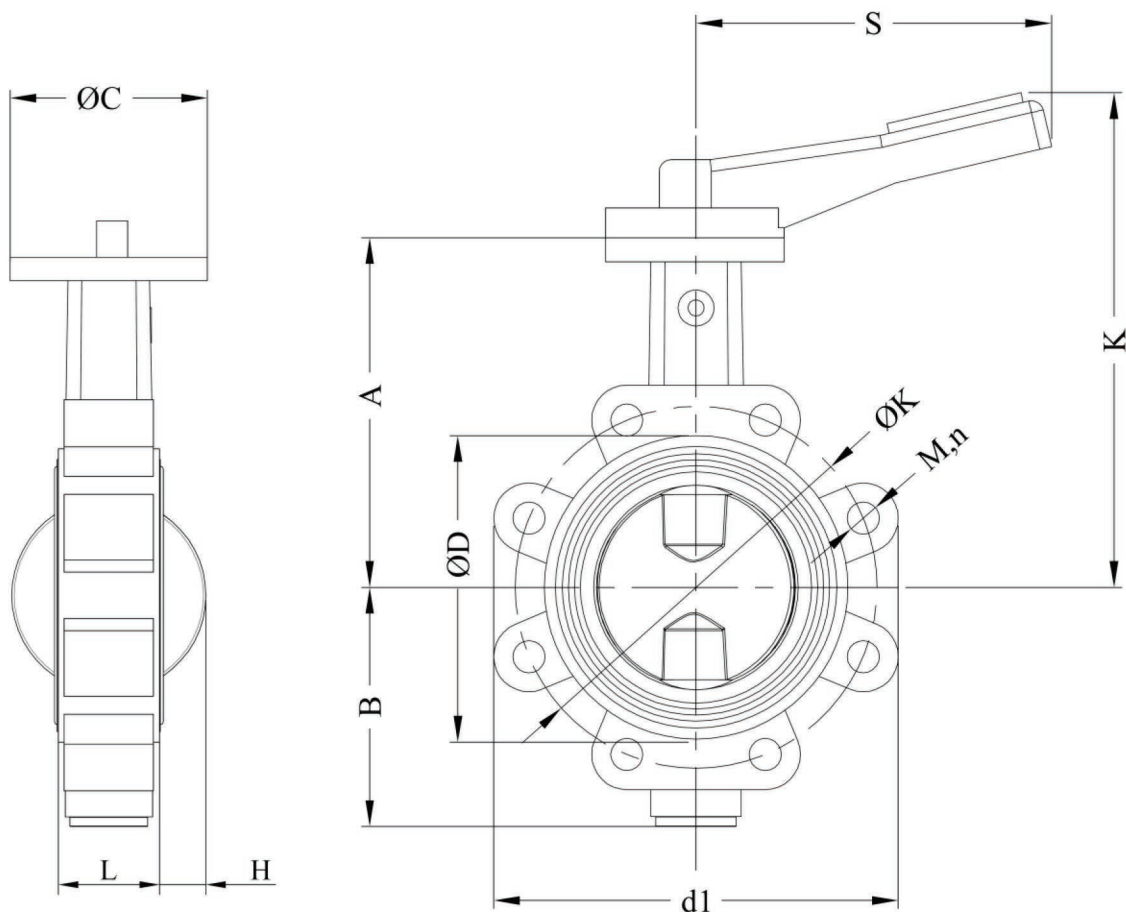
DN [mm]	L [mm]	A [mm]	B [mm]	ØD [mm]	ØC [mm]	H [mm]	S [mm]	K [mm]	X [mm]	Z [mm]	ISO (5211)	Weight [Kg]
250	68	270	210	315	125	90	210	410	90	190	F10	38
300	78	290	240	370	125	110	210	435	90	190	F10	55
350	92	310	275	435	150	125	210	455	90	190	F12	65
400	102	370	320	485	175	145	220	525	90	190	F14	100
450	114	395	340	540	175	158	235	560	125	240	F14	140
500	127	450	380	595	210	183	235	615	125	240	F16	165
600	154	500	450	685	210	216	235	665	175	240	F16	270
700	165	580	510	790	300	268	360	710	215	290	F25	410
800	190	625	550	900	300	296	360	770	215	290	F25	490

### Lug Type Butterfly Valves Lever Operated, DN 50-200 PN 10



DN [mm]	L [mm]	A [mm]	B [mm]	ØD [mm]	ØC [mm]	ØK [mm]	M [mm]	n [mm]	H [mm]	S [mm]	K [mm]	ISO (5211)	Weight [Kg]
50	43	125	80	95	65	125	M16	4	4	190	205	F05	4
65	46	130	85	115	65	145	M16	4	10	190	210	F05	5
80	46	140	95	130	65	160	M16	8	17	210	245	F05	6
100	52	175	120	150	90	180	M16	8	24	210	260	F07	10
125	56	185	130	180	90	210	M16	8	35	210	280	F07	11
150	56	210	150	215	90	240	M20	8	47	290	320	F07	14
200	60	235	175	270	90	295	M20	8	70	290	345	F07	19

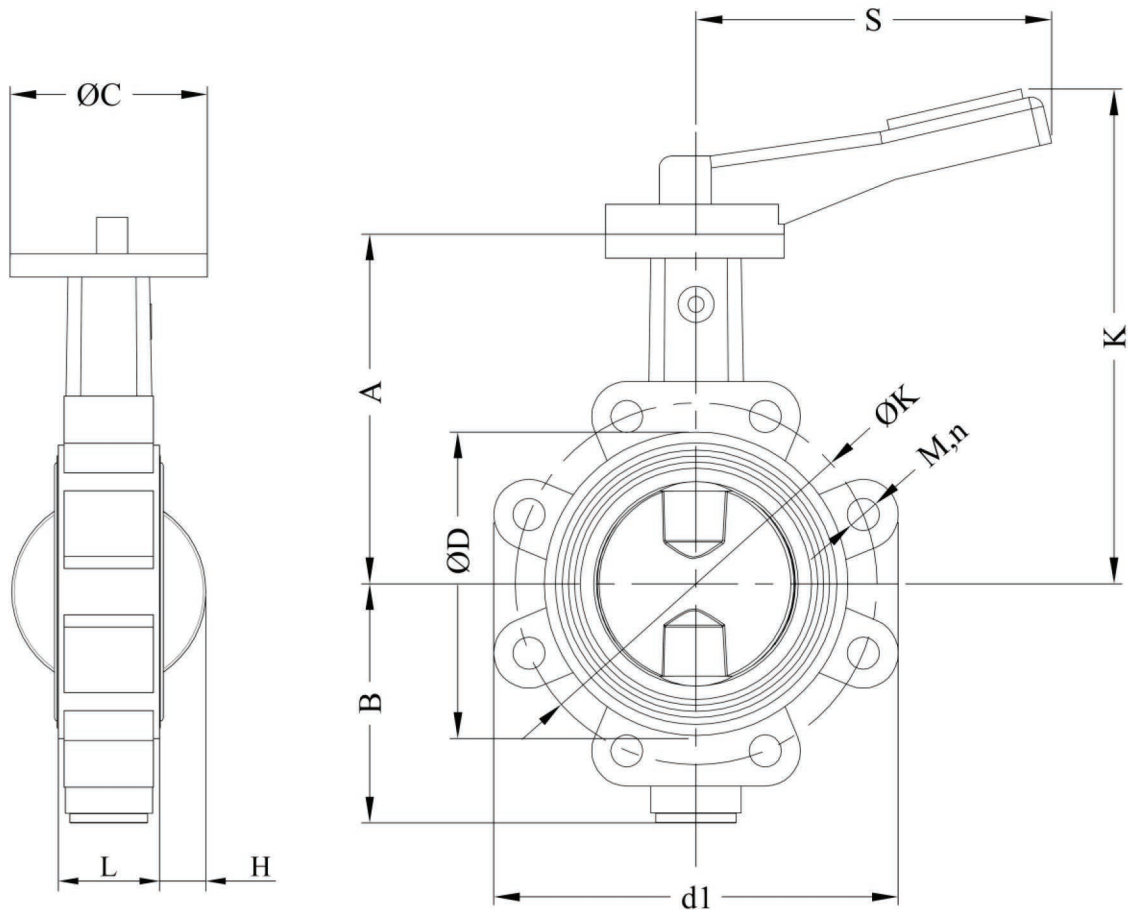
### Lug Type Butterfly Valves Lever Operated, DN 50-200 PN 16



DN [mm]	L [mm]	A [mm]	B [mm]	ØD [mm]	ØC [mm]	ØK [mm]	M [mm]	n [mm]	H [mm]	S [mm]	K [mm]	ISO (5211)	Weight [Kg]
50	43	125	80	95	65	125	M16	4	4	190	205	F05	4
65	46	130	85	115	65	145	M16	4	10	190	210	F05	5
80	46	140	95	130	65	160	M16	8	17	210	245	F05	6
100	52	175	120	150	90	180	M16	8	24	210	260	F07	10
125	56	185	130	180	90	210	M16	8	35	210	280	F07	11
150	56	210	150	215	90	240	M20	8	47	290	320	F07	14
200	60	235	175	270	90	295	M20	12	70	290	345	F07	19

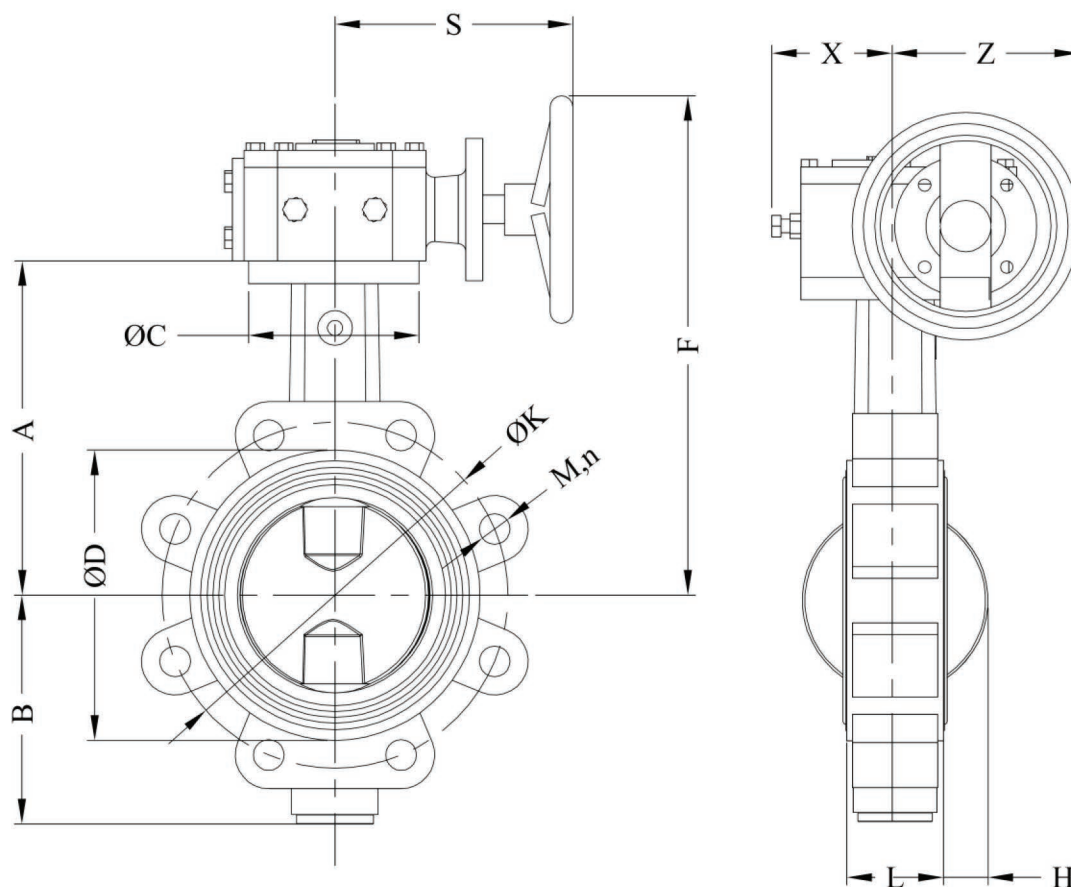


### Lug Type Butterfly Valves Lever Operated, DN 50-200 Class 150



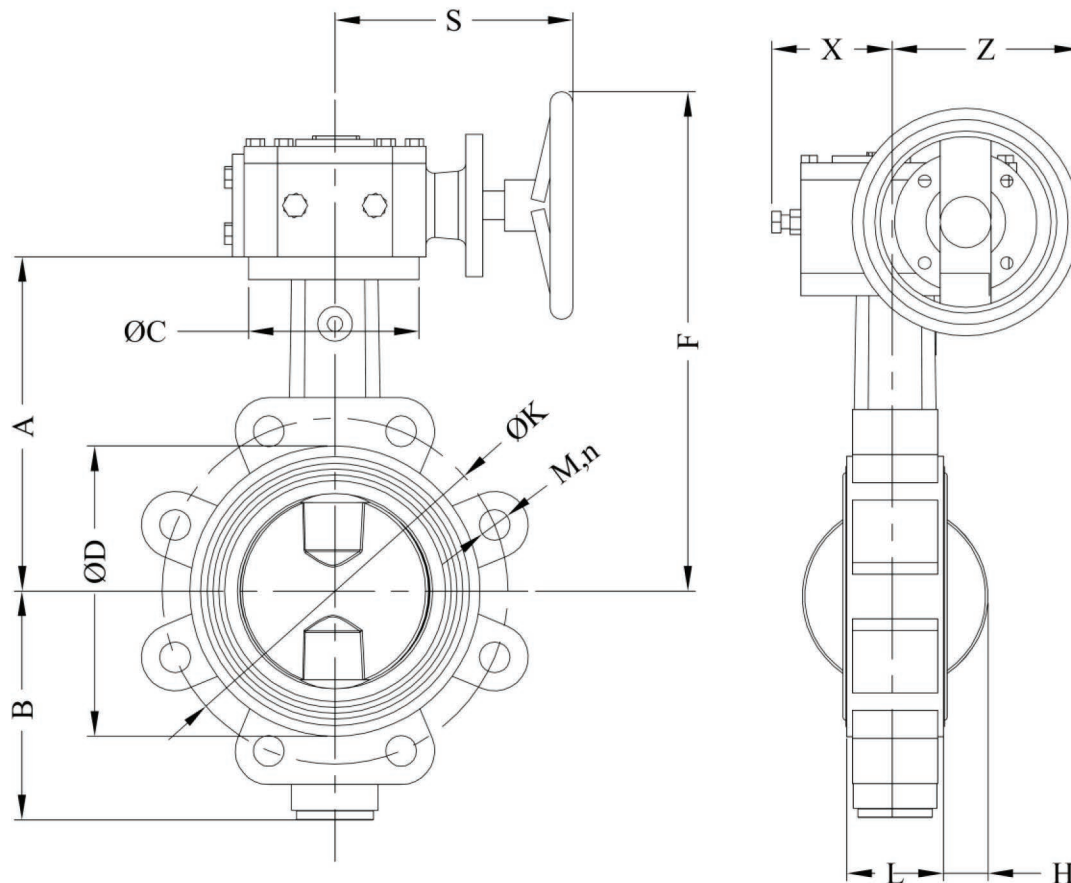
DN [mm]	L [mm]	A [mm]	B [mm]	ØD [mm]	ØC [mm]	ØK [mm]	M [mm]	n [mm]	H [mm]	S [mm]	K [mm]	ISO (5211)	Weight [Kg]
50	43	125	80	95	65	120.5	M16	4	4	190	205	F05	4
65	46	130	85	115	65	139.5	M16	4	10	190	210	F05	5
80	46	140	95	130	65	152.5	M16	4	17	210	245	F05	6
100	52	175	120	150	90	190.5	M16	8	24	210	260	F07	10
125	56	185	130	180	90	216	M20	8	35	210	280	F07	11
150	56	210	150	215	90	241.5	M20	8	47	290	320	F07	14
200	60	235	175	270	90	298.5	M20	8	70	290	345	F07	19

### Lug Type Butterfly Valves, Gear Operated, DN 250-800 PN 10



DN [mm]	L [mm]	A [mm]	B [mm]	ØC [mm]	ØD [mm]	ØK [mm]	M [mm]	n [mm]	H [mm]	S [mm]	F [mm]	X [mm]	Z [mm]	ISO (5211)	Weight [Kg]
250	68	270	210	125	315	350	M20	12	90	210	410	90	190	F10	54
300	78	290	240	125	370	400	M20	12	110	210	435	90	190	F10	66
350	92	310	275	150	435	460	M20	16	125	210	455	90	190	F12	88
400	102	370	320	175	485	515	M24	16	145	220	525	115	215	F14	138
450	114	395	340	175	540	565	M24	20	158	235	560	125	240	F14	168
500	127	450	375	210	595	620	M24	20	183	235	615	125	240	F16	216
600	154	500	450	210	685	725	M27	20	216	235	665	175	240	F16	330
700	165	580	510	300	790	840	M27	24	267	360	710	215	290	F25	475
800	190	625	550	300	900	950	M30	24	296	360	770	215	290	F25	580

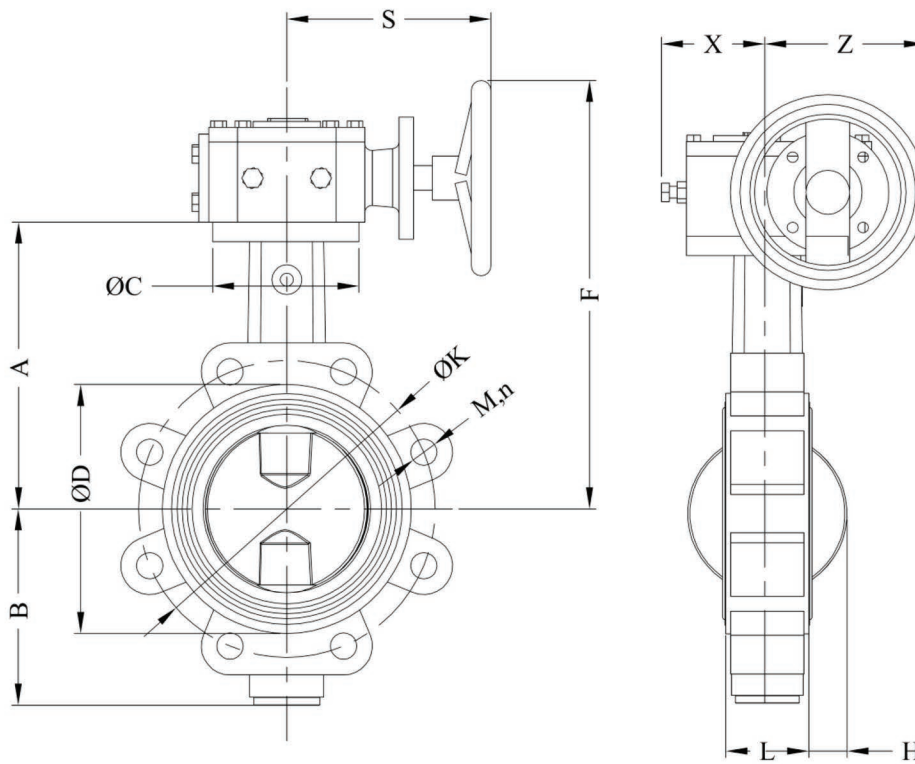
### Lug Type Butterfly Valves, Gear Operated, DN 250-800 PN 16



DN [mm]	L [mm]	A [mm]	B [mm]	ΦC [mm]	ΦD [mm]	ΦK [mm]	M [mm]	n [mm]	H [mm]	S [mm]	F [mm]	X [mm]	Z [mm]	ISO (5211)	Weight [Kg]
250	68	270	210	125	315	355	M24	12	90	210	410	90	190	F10	54
300	78	290	240	125	370	410	M24	12	110	210	435	90	190	F10	66
350	92	310	275	150	435	470	M24	16	125	210	455	90	190	F12	88
400	102	370	320	175	485	525	M27	16	145	220	525	115	215	F14	138
450	114	395	340	175	540	585	M27	20	158	235	560	125	240	F14	168
500	127	450	375	210	595	650	M30	20	183	235	615	125	240	F16	216
600	154	500	450	210	685	770	M33	20	216	235	665	175	240	F16	330
700	165	580	510	300	790	840	M33	24	267	360	710	215	290	F25	475
800	190	625	550	300	900	950	M36	24	296	360	770	215	290	F25	580



### Lug Type Butterfly Valves, Gear Operated, DN 250-800 Class 150



DN [mm]	L [mm]	A [mm]	B [mm]	ØC [mm]	ØD [mm]	ØK [mm]	M [mm]	n [mm]	H [mm]	S [mm]	F [mm]	X [mm]	Z [mm]	ISO (5211)	Weight [Kg]
250	68	270	210	125	315	362	M24	12	90	210	410	90	190	F10	54
300	78	290	240	125	370	432	M24	12	110	210	435	90	190	F10	66
350	92	310	275	150	435	476	M27	12	125	210	455	90	190	F12	88
400	102	370	320	175	485	540	M27	16	145	220	525	115	215	F14	138
450	114	395	340	175	540	578	M30	16	158	235	560	125	240	F14	168
500	127	450	375	210	595	635	M30	20	183	235	615	125	240	F16	216
600	154	500	450	210	685	750	M33	20	216	235	665	175	240	F16	330
700-Series A	165	580	510	300	790	864	M33	28	267	360	710	215	290	F25	490
700-Series B	165	520	463	300	770	795	M20	40	267	360	660	215	290	F25	450
800-Series A	190	625	550	300	900	978	M39	28	296	360	770	215	290	F25	610
800-Series B	190	575	510	300	874	900	M20	48	296	360	720	215	290	F25	550