

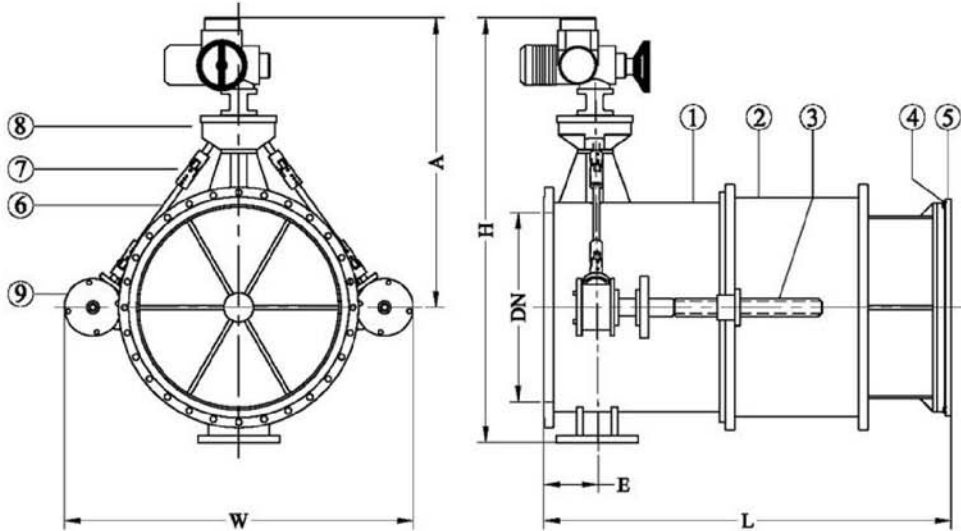
Howell Bunger Valves (DN: 400...2000mm, PN: 6...25bar)

Vertical Sleeve Valves (DN: 400...2000mm, PN: 6...25bar)

- Flange drilling for fabricated steel valves according to DIN EN 1092-1 (DIN 2501) similar with ISO 7005-1 (The flange of valve can also be manufactured according to ANSI standard in both classes of 150&300 according to customer's order.)
- Multi turn actuator attachment according to ISO 5210
- Part turn actuator attachment according to ISO 5211
- Final test according to DIN EN12266 or ISO 5208
- Coating paint: epoxy powder paint with electrostatic process



Part List, Materials and Dimensions of Howell Bunger Valves

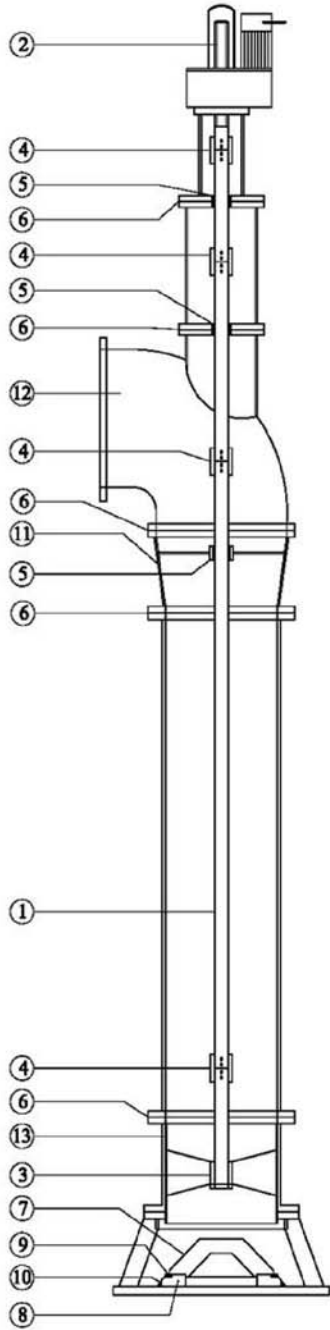


No.	Part Name	Material	No.	Part Name	Material	
1	Body	ST 37-2 or AISI 304	8	Main gearbox	Body / cover	GGG50
2	Shut – off Sleeve	ST 37-2 or AISI 304			Gear	GGG50
3	Spindle	AISI 316			Pinion	GGG50
4	Sealing ring	NBR or EPDM			Bushing	Bronze
5	Sealing ring retainer	AISI 304	9	Bevel gear unit	Body / cover	ST 37-2
6	Universal joint shaft	X20Cr13			Gear	GGG50
7	Universal joint	X20Cr13			Pinion	X20Cr13
					Bushing	Bronze

DN [mm]	L [mm]	W [mm]	A [mm]	H [mm]	E [mm]	Weight [Kg]			
						PN6	PN10	PN16	PN25
400	950	1150	950	1350	195	800	830	860	900
450	1000	1150	960	1400	195	880	910	950	1000
500	1100	1150	960	1400	195	950	970	1010	1100
600	1200	1240	1090	1570	195	1280	1310	1350	1420
700	1400	1340	1100	1640	195	1580	1630	1650	1750
800	1500	1470	1200	1800	200	1970	2030	2080	2200
900	1600	1620	1365	2050	250	2370	2420	2470	2600
1000	2000	1710	1350	2100	250	2770	2800	2850	2950
1200	2100	2000	1600	2400	300	3680	3730	3780	3900
1400	2400	2280	2100	2600	300	4980	5020	5070	5200
1600	2600	2580	2200	2850	300	6970	7000	7050	7200
1800	3000	2780	2400	3500	445	8980	9020	9070	9200
2000	3500	3000	2700	4000	445	11050	11080	11120	11300

To get more information about the inlet torque needed for the electric actuator contact MECHANIC AB.

Part List and Materials of Vertical Sleeve Valves:



No.	Part Name	Material
1	Shaft	X20 Cr13
2	Screw	X20 Cr13
3	Motive Bearing	X20 Cr13
4	Coupling	X20 Cr13
5	Bearing	BRONZE
6	Flange	ST 37-2
7	Cone	GGG40(GJS-400-15)
8	Seal Retainer	ST 37-2
9	First Seal	NBR or EPDM
10	Second Seal	AISI 304
11	Reducer	ST 37-2
12	Elbow	ST 37-2
13	Sleeve	AISI 304

Dimensions of vertical sleeve valves will be determined according to the flow rate and static upstream pressure.