

Wafer Swing Check Valves-Single Plate

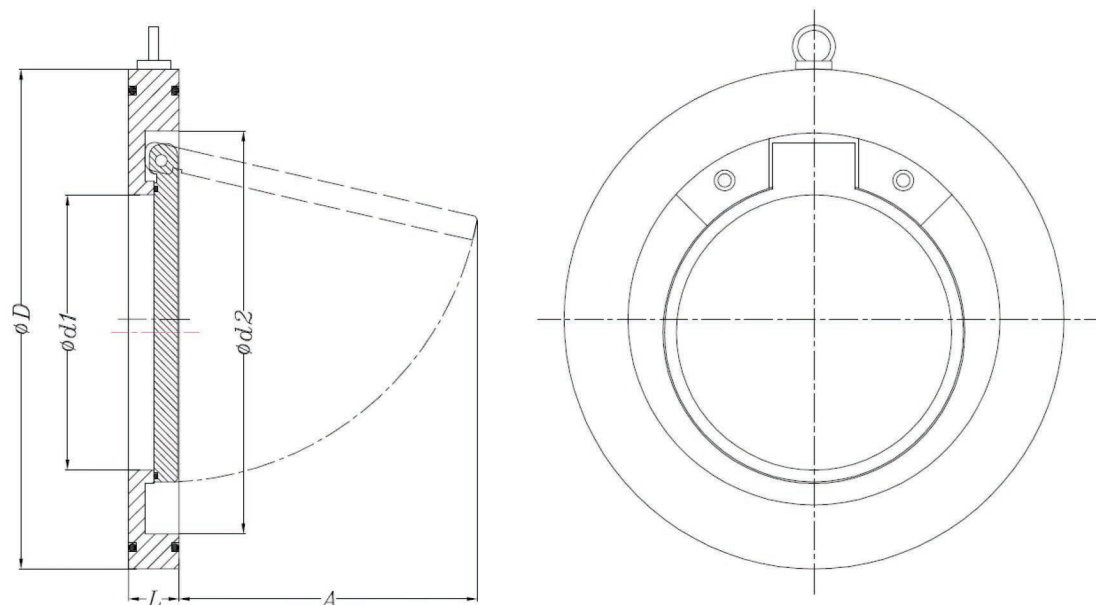


DN 50-300 PN 10-40/ Class 150

- Face to face dimension according to: API6D
- Final inspection and test according to: ISO 5208, DIN EN 12266, API 598
- Coating: Epoxy Powder Paint with Electrostatic Process-RAL 5005, or as specified by customer
- Available Material:
 - Body: ST37-2, AISI420, AISI304, AISI316, A216 WCB
 - Disk: ST37-2, AISI420, AISI304, AISI316
 - Sealing: metal to metal, metal to EPDM, NBR or Silicon

**Valves with special material are manufactured according to customer requirement.

Wafer Swing Check Valves-Single Plate DN 50-300 PN 10-40 / Class 150



| DN [mm] | L [mm] | ØD[mm] | | | | | Ød1 [mm] | Ød2 [mm] | A [mm] | Weight (Kg) |
|------------|-----------|--------|------|------|------|----------|-------------|-------------|-----------|----------------|
| | | PN10 | PN16 | PN25 | PN40 | Class150 | | | | |
| 50 | 20 | 108 | 108 | 108 | 108 | 101 | 26 | 62 | 42 | 1.5 |
| 65 | 20 | 127 | 127 | 127 | 127 | 120 | 38 | 78 | 55 | 1.8 |
| 80 | 20 | 142 | 142 | 142 | 142 | 133 | 42 | 95 | 60 | 2 |
| 100 | 20 | 162 | 162 | 162 | 168 | 171 | 70 | 118 | 80 | 2.5 |
| 150 | 22 | 218 | 218 | 224 | 224 | 219 | 114 | 172 | 120 | 5 |
| 200 | 29 | 275 | 275 | 285 | 290 | 274 | 143 | 228 | 155 | 9 |
| 250 | 34 | 329 | 329 | 340 | 352 | 336 | 185 | 271 | 200 | 15 |
| 300 | 38 | 378 | 384 | 400 | 418 | 406 | 214 | 296 | 232 | 22 |