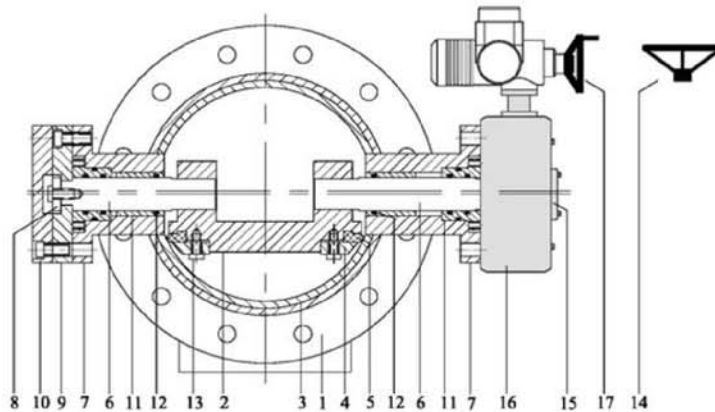
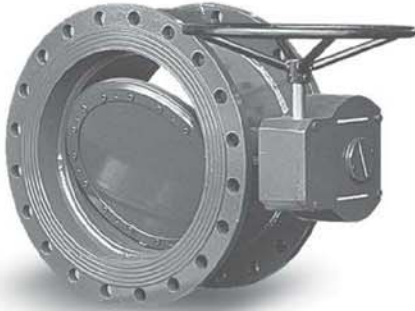


Fabricated Steel Butterfly Valves (DN: 100...2000mm, PN: 6...63bar)

- Valve design according to DIN EN593(DIN3354)
- Face to face dimension according to DIN EN 558, Series14 (DIN 3202-F4)
- Flange drilling according to DIN EN 1092-1 (DIN 2501) similar with ISO 7005-1
(The flange of valve can also be manufactured according to ANSI standard in both classes of 150&300 according to customer's order.)
- Multi turn actuator attachment according to ISO 5210
- Part turn actuator attachment according to ISO 5211
- Final test according to DIN EN12266 or ISO 5208
- Coating paint: epoxy powder paint with electrostatic process



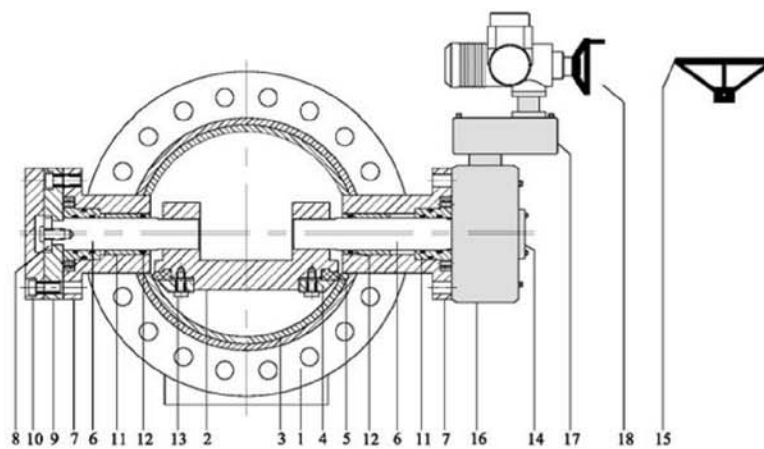
Part List and Materials of Fabricated Steel Butterfly Valves with Single Gearbox:



No.	Part Name	Material	No.	Part Name	Material	
1	Body	ST 37-2 or ST 52-3	11	Bushing	Bronze	
2	Disk	ST 37-2 or ST 52-3	12	O- Ring	NBR	
3	Sealing Ring	Stainless Steel-Clad	13	Screw	Stainless Steel (A2)	
4	Disk Retaining Ring	ST 37-2	14	Hand wheel	GGG 40	
5	Sealing Ring	NBR or EPDM	15	Pointer	GGG 40	
6	Shaft	X20 Cr13	16	Gearbox	Worm Gear	GGG 50
7	Body Bearing	ST 37-2 or ST 52-3			Worm	CK 45
8	Shaft Adjusting Plate	X20 Cr13			Body/Cover	GGG 40
9	Bearing Adjusting Plate	ST 37-2			Bushing	Bronze
10	Bearing Cover	ST 37-2	17	Actuator	—	

- Manual or electrical actuators are available.

Part List and Materials of Fabricated Steel Butterfly Valves with Double Gearbox:

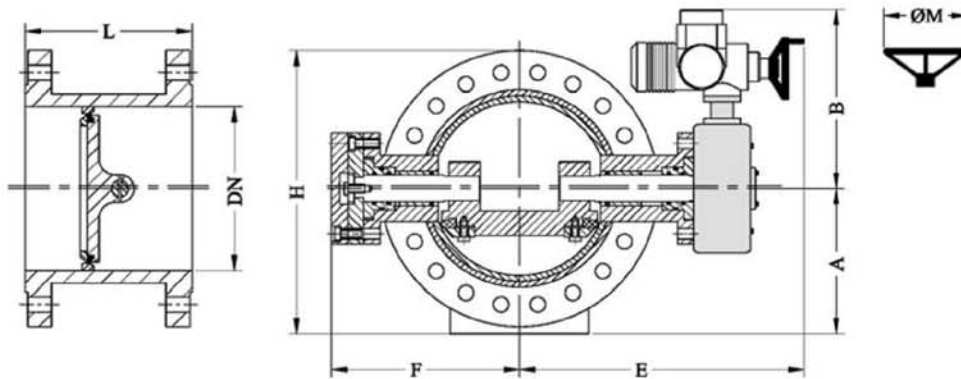


No.	Part Name	Material	No.	Part Name	Material	
1	Body	ST 37-2 or ST 52-3	13	Screw	Stainless Steel (A2)	
2	Disk	ST 37-2 or ST 52-3	14	Pointer	GGG 40	
3	Sealing Ring	Stainless Steel-Clad	15	Hand wheel	GGG 40	
4	Disk Retaining Ring	ST 37-2	16	Main Gearbox	Worm Gear	GGG 50
5	Sealing Ring	NBR or EPDM			Worm	CK 45
6	Shaft	X20 Cr13			Body/Cover	GGG 40
7	Body Bearing	ST 37-2 or ST 52-3			Bushing	Bronze
8	Shaft Adjusting Plate	X20 Cr13	17	Reducing Gearbox(II) (Type : Spur Gear)	Gear	GGG 50
9	Bearing Adjusting Plate	ST 37-2			Pinion	X20 Cr 13
10	Bearing Cover	ST 37-2			Body/Cover	GGG 40
11	Bushing	Bronze			Bushing	Bronze
12	O- Ring	NBR	18	Actuator	—	

- Manual or electrical actuators are available.

Fabricated Steel Butterfly Valves DN100...2000, PN10

DN [mm]	PN [bar]	Hydrostatic test pressure in bars for:	
		Body (water)	Seat (water)
100-2000	10	15	11

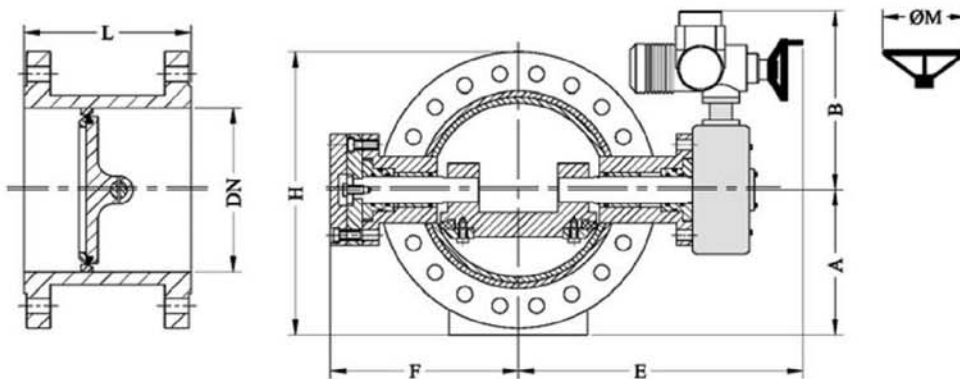


DN [mm]	L(Long) [mm]	L(Short) [mm]	A [mm]	B [mm]	H [mm]	ØM [mm]	E [mm]	F [mm]	Turns per travel	Input torque [N.m]	Weight [Kg]
100	190	—	110	385	220	160	435	185	8	20-30	30
125	190	—	125	385	250	160	450	180	8	20-30	36
150	210	—	142.5	385	285	160	460	180	8	20-30	46
200	230	—	170	420	340	200	500	225	12	20-30	72
250	250	—	197.5	420	395	200	535	250	12	40-50	80
300	270	—	222.5	445	445	250	595	285	18	40-50	142
350	290	—	252.5	445	505	300	625	310	18	40-50	145
400	310	—	282.5	465	565	300	650	330	22	40-50	190
450	330	—	307.5	600	615	250	670	350	90	40-50	220
500	350	—	335	600	670	300	730	420	90	40-50	290
600	390	—	390	600	780	300	780	470	90	40-50	360
700	430	—	497.5	645	945	300	840	505	138	40-50	565
800	470	318	560	645	1065	400	880	575	138	80-90	700
900	510	330	610	645	1165	400	925	635	138	80-90	870
1000	550	410	665	720	1280	400	1015	710	145	80-90	1265
1200	630	470	780	935	1505	400	1170	800	444	80-90	1910
1400	710	530	890	935	1725	400	1260	970	444	80-90	2760
1600	790	600	1010	995	1965	400	1430	1055	507	80-90	4190
1800	870	670	1110	995	2165	400	1555	1215	507	200-230	5800
2000	950	760	1215	995	2375	400	1655	1420	507	200-230	6650

- Manual or electrical actuators are available.
- In the case of manual valves the value of B is reduced 100mm.
- Valves with nominal diameter larger than 450mm are equipped with double gearbox
- Butterfly valves larger than DN2000 can be produced according to customer's order.

Fabricated Steel Butterfly Valves DN100...2000, PN16

DN [mm]	PN [bar]	Hydrostatic test pressure in bars for:	
		Body (water)	Seat (water)
100-2000	16	24	17.6

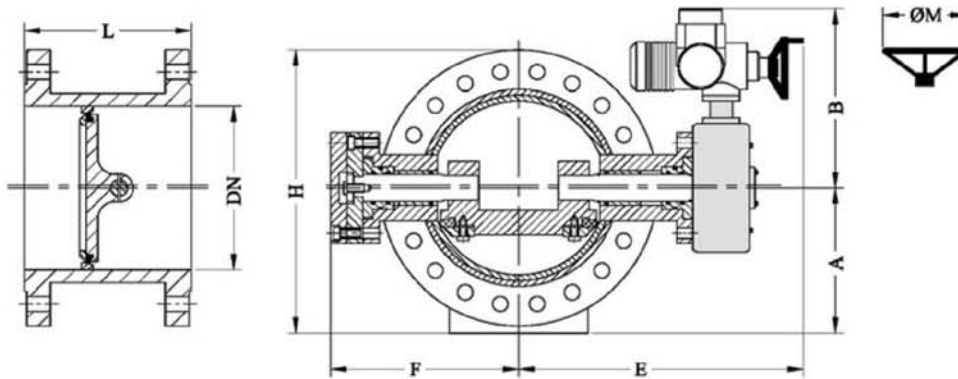


DN [mm]	L(Long) [mm]	L(Short) [mm]	A [mm]	B [mm]	H [mm]	ØM [mm]	E [mm]	F [mm]	Turns per travel	Input torque [N.m]	Weight [Kg]
100	190	—	110	385	220	160	435	185	8	20-30	31
125	190	—	125	385	250	160	450	180	8	20-30	37
150	210	—	142.5	385	285	160	460	180	8	20-30	47
200	230	—	170	420	340	200	500	225	12	20-30	74
250	250	—	202.5	420	405	200	535	250	12	40-50	82
300	270	—	230	445	460	250	595	285	18	40-50	145
350	290	—	260	445	520	300	625	310	18	40-50	180
400	310	—	290	465	580	300	650	330	22	40-50	200
450	330	—	320	600	640	250	670	350	90	40-50	250
500	350	—	357.5	600	715	300	730	420	90	40-50	340
600	390	—	420	600	840	300	780	470	90	40-50	417
700	430	—	505	645	960	300	840	505	138	80-90	570
800	470	318	565	645	1075	400	880	575	138	80-90	710
900	510	330	615	645	1175	400	925	635	138	80-90	880
1000	550	410	680	720	1305	400	1015	710	145	80-90	1320
1200	630	470	795	935	1535	400	1170	800	444	80-90	1965
1400	710	530	895	935	1735	400	1260	965	444	80-90	3200
1600	790	600	1015	995	1980	400	1430	1075	507	200-230	4700
1800	870	670	1115	995	2180	400	1555	1225	507	200-230	6560
2000	950	760	1225	995	2395	400	1655	1450	507	200-230	7200

- Manual or electrical actuators are available.
- In the case of manual valves the value of B is reduced 100mm.
- Valves with nominal diameter larger than 450mm are equipped with double gearbox
- Butterfly valves larger than DN2000 can be produced according to customer's order.

Fabricated Steel Butterfly Valves DN100...2000, PN25

DN [mm]	PN [bar]	Hydrostatic test pressure in bars for:	
		Body (water)	Seat (water)
100-2000	25	37.5	27.5

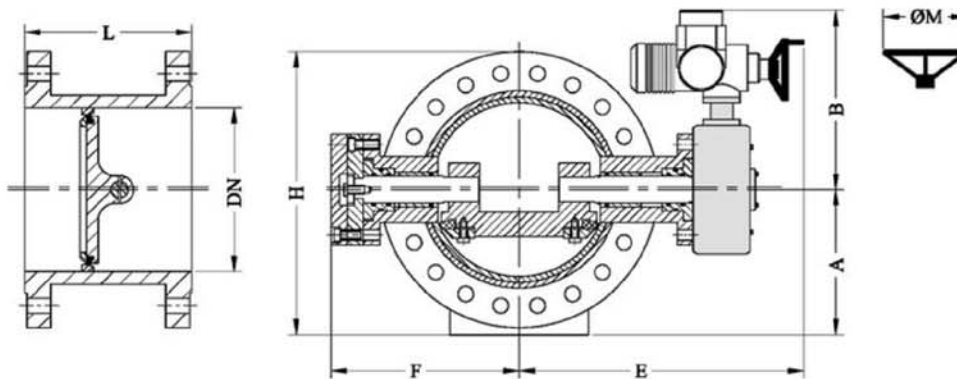


DN [mm]	L(Long) [mm]	L(Short) [mm]	A [mm]	B [mm]	H [mm]	ØM [mm]	E [mm]	F [mm]	Turns per travel	Input torque [N.m]	Weight [Kg]
100	190	—	117.5	385	235	160	435	185	8	20-30	35
125	190	—	135	385	270	160	450	180	8	20-30	40
150	210	—	150	385	300	160	460	180	8	20-30	56
200	230	—	180	420	360	200	500	225	12	20-30	76
250	250	—	212.5	420	425	200	555	255	12	40-50	131
300	270	—	242.5	445	485	250	615	310	18	40-50	165
350	290	—	277.5	445	555	300	660	395	18	40-50	220
400	310	—	310	600	620	250	700	425	90	80-90	267
450	330	—	335	600	670	250	715	445	90	80-90	315
500	350	—	365	645	730	300	745	425	138	80-90	380
600	390	—	422.5	645	845	300	820	540	138	80-90	570
700	430	—	530	645	1010	400	840	520	138	80-90	680
800	470	318	595	720	1135	400	955	640	145	80-90	1075
900	510	330	645	720	1235	400	995	660	145	80-90	1285
1000	550	410	710	935	1370	400	1080	730	444	80-90	1775
1200	630	470	815	935	1580	400	1195	850	444	80-90	2595
1400	710	530	930	995	1805	400	1420	965	507	200-230	3650
1600	790	600	1055	995	2040	400	1580	1115	507	200-230	5220
1800	870	670	1165	995	2240	400	1710	1265	507	200-230	7030
2000	950	760	1270	995	2455	400	1820	1490	507	200-230	7670

- Manual or electrical actuators are available.
- In the case of manual valves the value of B is reduced 100mm.
- Valves with nominal diameter larger than 400mm are equipped with double gearbox
- Butterfly valves larger than DN2000 can be produced according to customer's order.

Fabricated Steel Butterfly Valves DN100...2000, PN40

DN [mm]	PN [bar]	Hydrostatic test pressure in bars for:	
		Body (water)	Seat (water)
100-2000	40	60	44

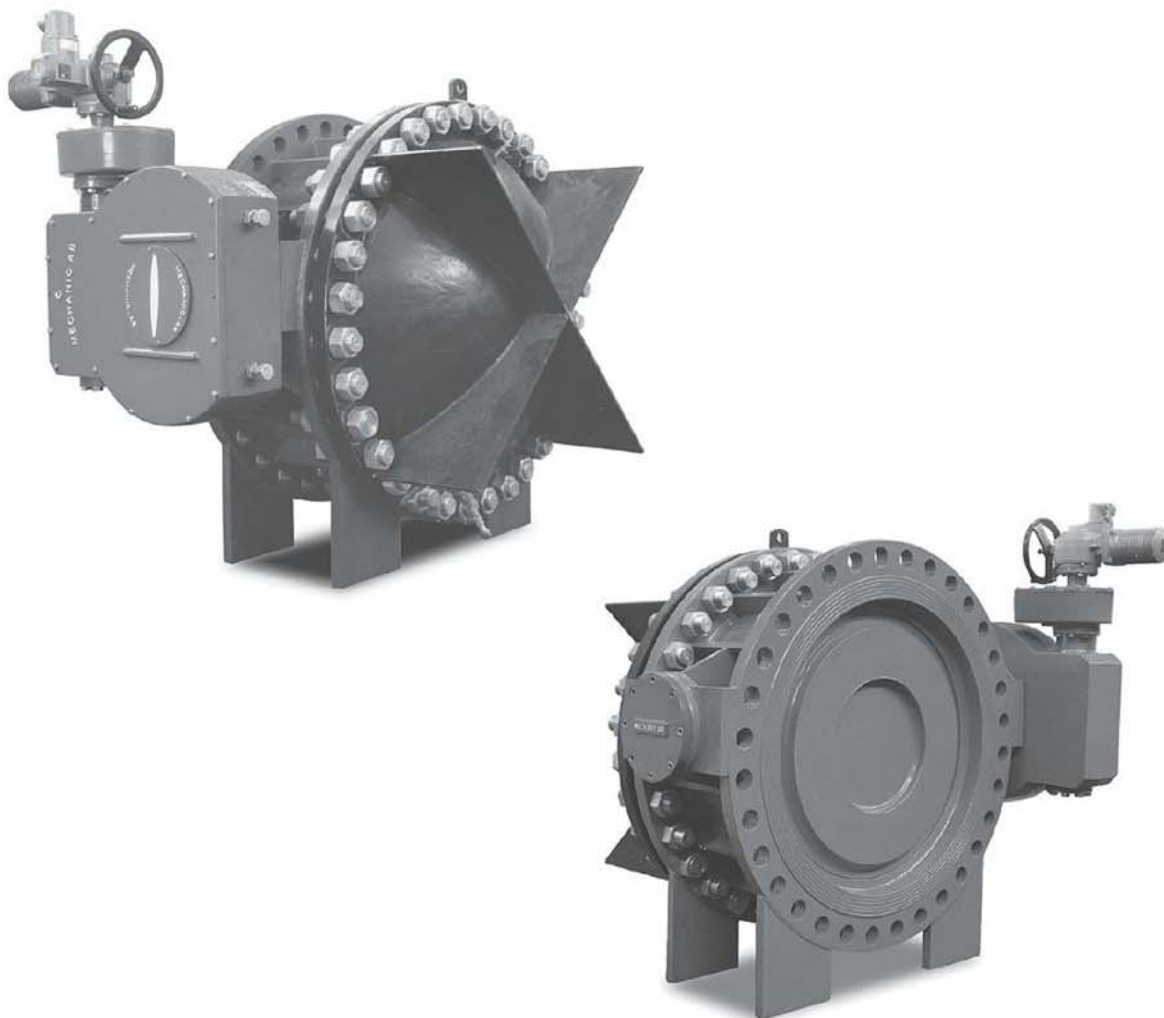


DN [mm]	L(Long) [mm]	L(Short) [mm]	A [mm]	B [mm]	H [mm]	ØM [mm]	E [mm]	F [mm]	Turns per travel	Input torque [N.m]	Weight [Kg]
100	190	—	117.5	385	235	160	435	185	8	40-50	36
125	190	—	135	385	270	160	450	180	8	40-50	42
150	210	—	150	385	300	160	460	180	8	40-50	58
200	230	—	187.5	445	375	200	530	255	18	40-50	80
250	250	—	225	465	450	200	605	255	22	40-50	135
300	270	—	257.5	465	515	250	625	310	22	80-90	195
350	290	—	290	465	580	300	670	395	22	80-90	250
400	310	—	330	600	660	250	700	425	90	80-90	320
450	330	—	342.5	645	685	250	725	445	138	80-90	330
500	350	—	377.5	645	755	300	780	465	138	80-90	450
600	390	—	445	720	890	300	825	540	145	80-90	760
700	430	—	550	720	1045	400	900	580	145	80-90	1000
800	470	318	620	935	1190	400	1005	685	444	80-90	1580
900	510	330	675	935	1300	400	1015	690	444	80-90	1780
1000	550	410	730	935	1410	400	1080	770	507	200-230	2100
1200	630	470	840	995	1625	400	1280	900	507	200-230	3750
1400	710	530	950	995	1845	400	1420	1015	507	200-230	3900
1600	790	600	1090	995	2085	400	1750	1185	507	200-230	5770
1800	870	670	1200	995	2290	400	1880	1345	507	200-230	7580
2000	950	760	1305	995	2510	400	1990	1570	507	200-230	8220

- Manual or electrical actuators are available.
- In the case of manual valves the value of B is reduced 100mm.
- Valves with nominal diameter larger than 400mm are equipped with double gearbox
- Butterfly valves larger than DN2000 can be produced according to customer's order.

Fabricated Steel Butterfly Valves DN100...2000, PN63

DN [mm]	PN [bar]	Hydrostatic test pressure in bars for:	
		Body (water)	Seat (water)
100-2000	63	94.5	70



To receive complete specifications of butterfly valves with PN63 please contact MECHANIC AB.