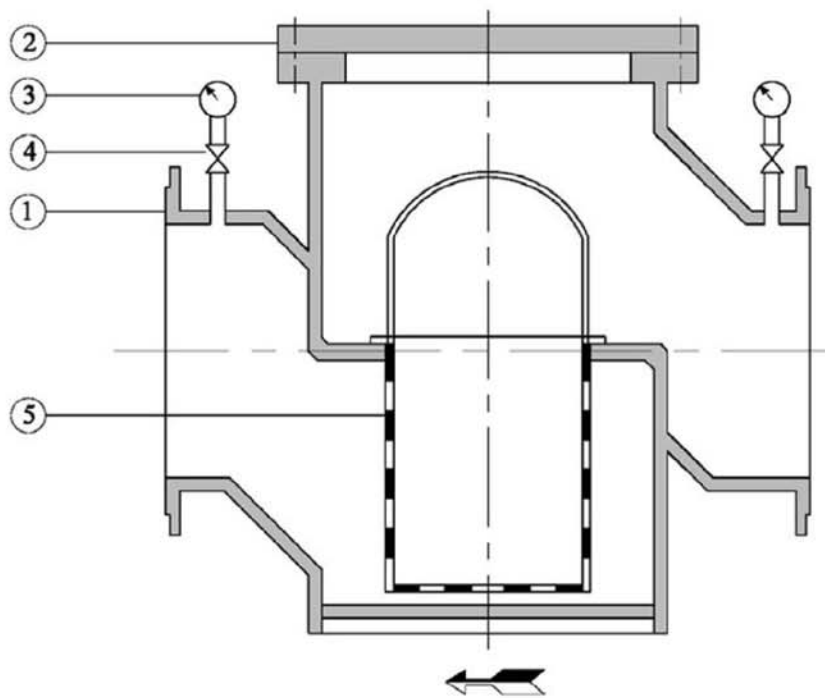


### Strainers, Foot Valves and Flap Valves:

- Face to face dimension according to the dimension table given for strainers on the next page
- Flange drilling for fabricated steel valves according to DIN EN 1092-1 (DIN 2501) similar with ISO 7005-1 (The flange of product can also be manufactured according to ANSI standard in both classes of 150&300 according to customer's order.)
- Final test according to DIN EN12266 or ISO 5208
- The diameter of basket's holes are 10mm predefined and can be changed according to customer's order
- Coating paint: epoxy powder paint with electrostatic process

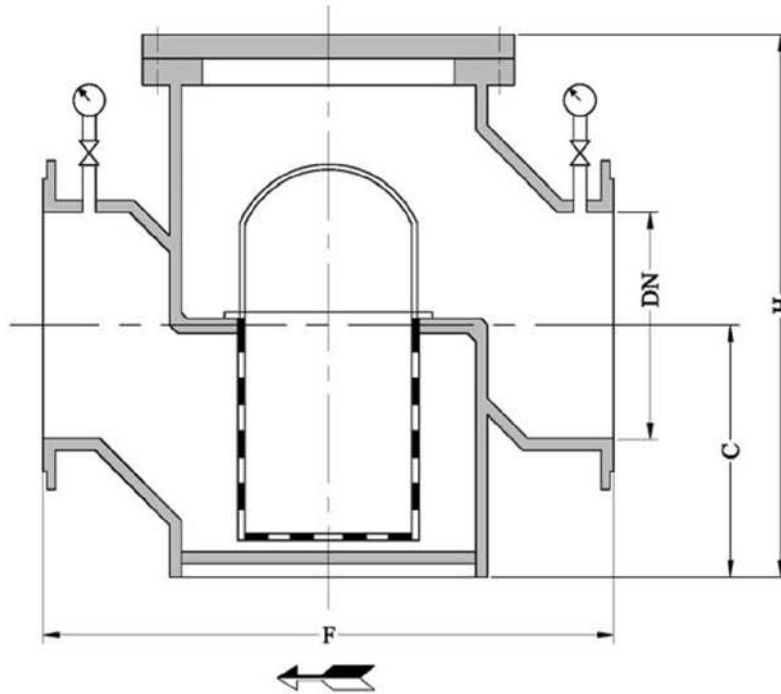


**Part List and Materials of Fabricated Steel Strainers:**



No.	Part Name	Material
1	Body	ST 37-2
2	Cover	ST 37-2
3	Gage	---
4	Ball cok	Bronze
5	Basket	AISI 304

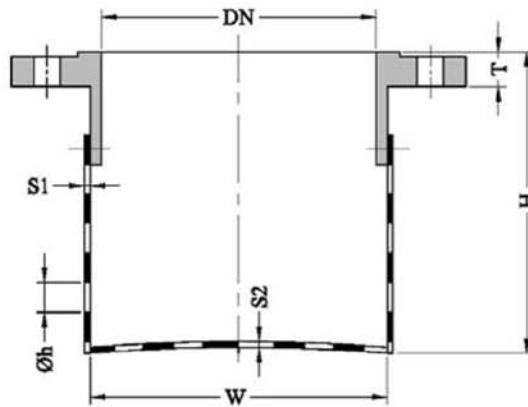
**Dimensions of Fabricated Steel Strainers:**



DN [mm]	C [mm]	F [mm]	H [mm]	Weight [Kg]			
				PN10	PN16	PN25	PN40
80	130	380	340	42	42	42	42
100	150	390	350	53	55	60	63
125	170	580	450	95	95	102	102
150	200	580	460	105	114	124	130
200	250	720	590	140	148	160	182
250	330	770	700	228	230	235	258
300	370	845	780	300	315	325	348
350	470	1045	960	380	393	410	423
400	520	1080	1090	440	590	605	620
500	550	1365	1160	720	743	759	795
600	650	1560	1400	965	990	1040	1075
700	730	1660	1620	1205	1275	1370	1480
800	800	2000	1800	1600	1640	1780	1830
900	900	2300	1980	2400	2550	2600	2660
1000	960	2400	2100	3550	3610	3680	3890

**Strainers with Stainless Steel Basket:**

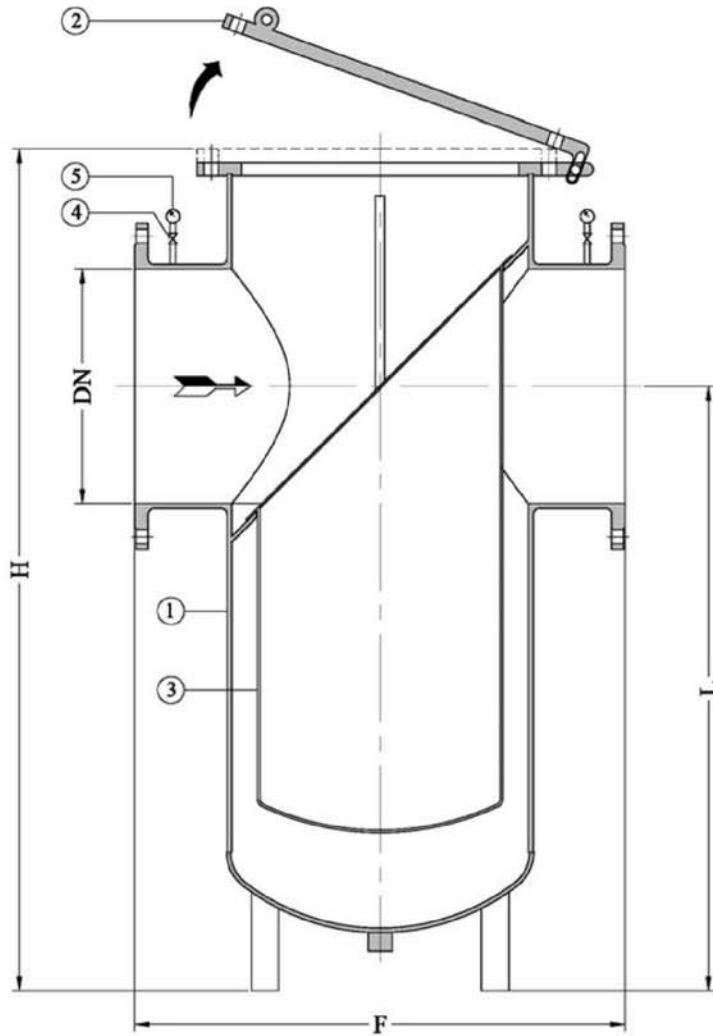
- Flange drilling for fabricated steel valves according to DIN EN 1092-1 (DIN 2501) similar with ISO 7005-1 (The flange of product can also be manufactured according to ANSI standard in both classes of 150&300 according to customer's order.)
- Final test according to DIN EN12266 or ISO 5208
- The diameter of basket's holes are 10mm predefined and can be changed according to customer's order
- Coating paint: epoxy powder paint with electrostatic process



DN [mm]	W [mm]	T [mm]	H [mm]	S <sub>1</sub> [mm]	S <sub>2</sub> [mm]
80	100	18	395	2	2
100	120	18	395	2	2
125	145	23	400	2	2
150	170	23	400	2	2
200	222	23	400	2	2
250	275	23	400	2	2
300	358	23	445	2	2
350	408	23	445	2	2
400	459	23	615	2	2
450	510	28	620	2	2
500	510	28	620	3	3
600	612	28	870	3	3
700	764	33	875	3	3
800	816	33	875	3	3
900	916	33	1125	3	3
1000	1018	38	1130	3	3
1200	1221	43	1385	3	4
1400	1424	43	1635	3	4
1600	1628	48	1640	3	4
1800	1833	53	1895	3	4
2000	2035	57	1900	3	4

**T Type strainers, with Stainless Steel Basket:**

- Flange drilling for fabricated steel valves according to DIN EN 1092-1 (DIN 2501) similar with ISO 7005-1 (The flange of product can also be manufactured according to ANSI standard in both classes of 150&300 according to customer's order.)
- Final test according to DIN EN12266 or ISO 5208
- The diameter of basket's holes are 10mm predefined and can be changed according to customer's order
- Coating paint: epoxy powder paint with electrostatic process



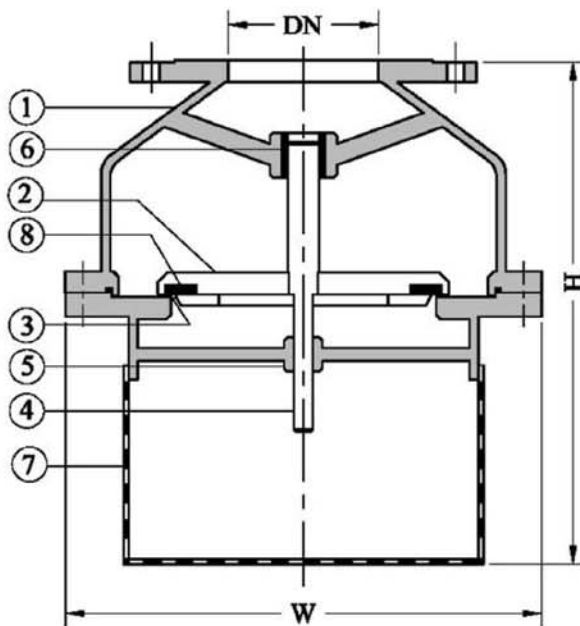
No.	Part Name	Material
1	Body	ST 37-2
2	Cover	ST 37-2
3	Basket	AISI 304
4	Ball cok	Bronze
5	Gage	---

DN [mm]	F [mm]	H [mm]	L [mm]	Weight [Kg]
80	380	570	380	45
100	410	670	470	75
125	470	800	530	110
150	470	800	530	110
200	550	950	600	175
250	650	1115	785	210
300	700	1250	885	320
350	800	1400	1030	345
400	850	1550	1080	500
450	950	1700	1200	670
500	1000	1880	1300	800
600	1100	1995	1400	885
700	1250	2265	1590	1230
800	1400	2930	2200	1480
900	1500	3200	2350	1690
1000	1650	3400	2500	2380
1200	2000	3750	2800	3550
1400	2500	4200	3000	5400
1600	2800	4600	3200	8350
1800	3000	4800	3400	9700
2000	3200	5000	3600	11900



### Dimensions and Specifications of Foot Valves:

- Flange drilling for fabricated steel valves according to DIN EN 1092-1 (DIN 2501) similar with ISO 7005-1 (The flange of product can also be manufactured according to ANSI standard in both classes of 150&300 according to customer's order.)
- Final test according to DIN EN12266 or ISO 5208
- A very little head loss at the outlet
- The diameter of basket's holes are 10mm predefined and can be changed according to customer's order
- Coating paint: epoxy powder paint with electrostatic process



DN [mm]	W [mm]	H [mm]	Weight [Kg]
80	285	350	32
100	340	400	40
125	395	490	50
150	395	490	52
200	445	520	80
250	520	575	90
300	565	620	130
350	615	650	145
400	615	830	160
450	730	860	210
500	820	885	265
600	920	950	310

No.	Part Name	Material	No.	Part Name	Material
1	Body	ST 37-2	5	Bearing	X20 Cr13
2	Disk	ST 37-2	6	Bushing	Bronze
3	Sealing seat	Stainless Steel-Clad	7	Strainer	AISI 304
4	Shaft	X20 Cr13	8	Sealing ring	NBR or EPDM