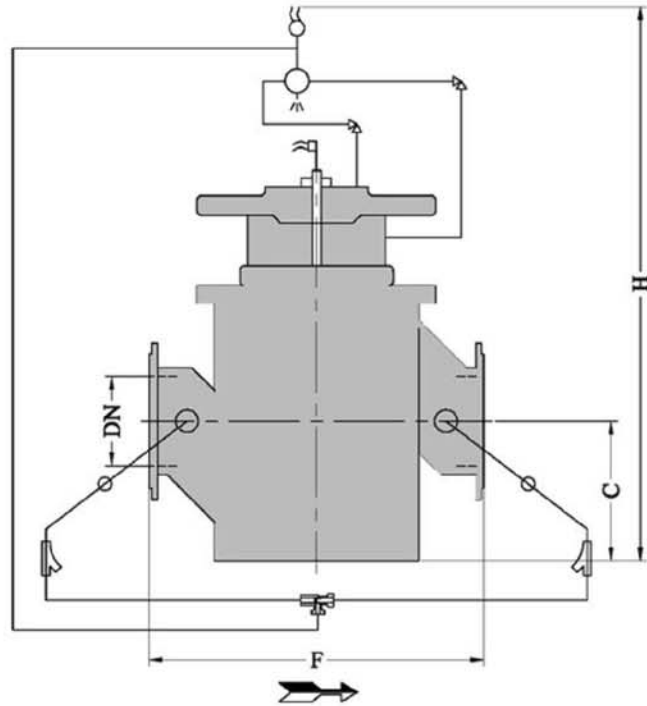


**Automatic Control Valves** (DN: 50...1000mm, PN: 6...40bar):

- Face to face dimension according to DIN EN 558, Series 1 (DIN 3202-F1)
- Flange drilling for fabricated steel valves according to DIN EN 1092-1 (DIN 2501) similar with ISO 7005-1 (The flange of valve can also be manufactured according to ANSI standard in both classes of 150&300 according to customer's order.)
- Flange drilling for ductile cast iron valves according to DIN EN 1092-2 (DIN 2501) similar with ISO 7005-2
- Final test according to DIN EN 12266 or ISO 5208
- Coating paint: epoxy powder paint with electrostatic process

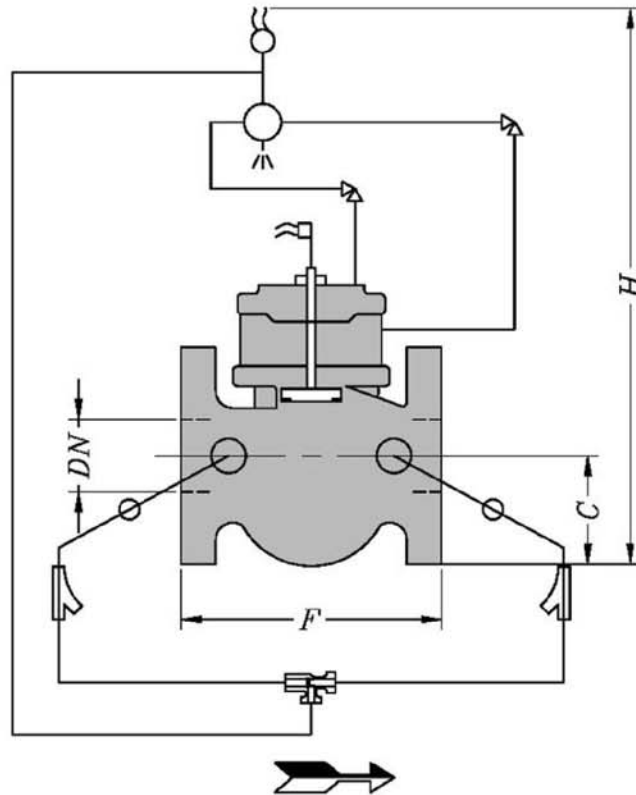


**Dimensions of Fabricated Steel Pump Control Valves:**



DN [mm]	C [mm]	F [mm]	H [mm]	Weight [Kg]			
				PN10	PN16	PN25	PN40
50	100	300	500	60	62	64	66
65	100	300	500	62	65	68	70
80	130	380	600	68	70	75	78
100	150	390	600	77	80	88	95
125	170	580	700	152	155	160	165
150	200	580	800	155	158	162	170
200	250	720	1000	252	260	265	270
250	330	770	1100	370	377	390	410
300	370	845	1200	490	510	540	590
350	470	1045	1400	600	645	700	760
400	520	1080	1400	690	750	820	930
500	550	1365	1600	1255	1350	1400	1580
600	650	1560	1700	1510	1580	1620	1700

**Dimensions of Ductile Cast Iron Pump Control Valves:**



DN [mm]	C [mm]	F [mm]	H [mm]	Weight [Kg]			
				PN10	PN16	PN25	PN40
50	100	290	500	58	60	62	65
65	100	290	500	60	62	64	67
80	110	310	600	65	68	70	75
100	120	350	600	75	80	85	90
125	150	480	750	150	150	155	160
150	160	480	800	150	151	156	161
200	200	600	900	248	250	253	260
250	240	730	1000	350	355	375	380
300	280	850	1100	465	470	490	500
350	330	980	1200	580	640	670	----
400	390	1100	1300	645	700	760	----
500	440	1250	1400	1240	1300	1390	----
600	500	1450	1500	1470	1530	1600	----