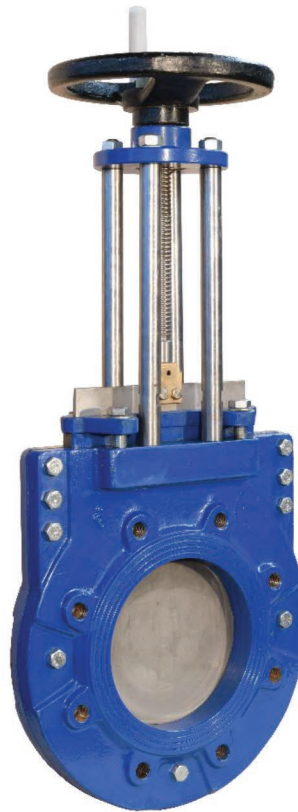


Knife Gate Valves

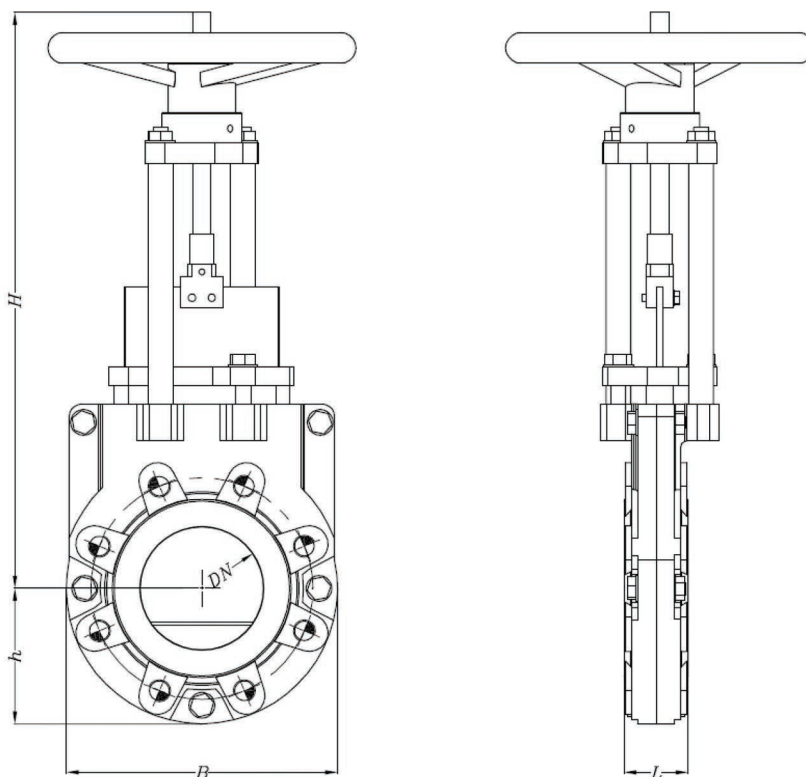


DN 40-300 PN 10,16 Class 150

- Valve design according to: MSS SP-81
- Flange drilling according to: ISO 7005-2, DIN EN 1092-2 (DIN 2501), ASME B16.5
- Face to face dimensions according to: MSS SP-81
- Final inspection and test according to: MSS SP-81
- Coating: Epoxy powder paint with electrostatic process-RAL 5005
- Available material:
 - Body: GJS400-15, A216 WCB, CF8M
 - Disk: AISI304, AISI316
 - Stem: AISI420, AISI304, AISI316

**Valve operation: Gear, Electrical, Pneumatic or Hydraulic upon customer requirement

Knife Gate Valves DN 40-300 PN 10, 16 Class 150



DN [mm]	Working Pressure [bar]
40 - 200	10
250-300	6

DN	H Closed [mm]	H Open [mm]	h [mm]	B [mm]	L [mm]	Weight [Kg]
40	335	375	78	155	48	14
50	350	410	80	160	48	16
65	375	440	90	180	48	18
80	430	510	95	190	51	21
100	460	550	110	220	52	25
150	540	695	153	305	57	35
200	670	850	195	390	70	65
250	750	990	228	456	70	80
300	875	1150	275	550	73	125