

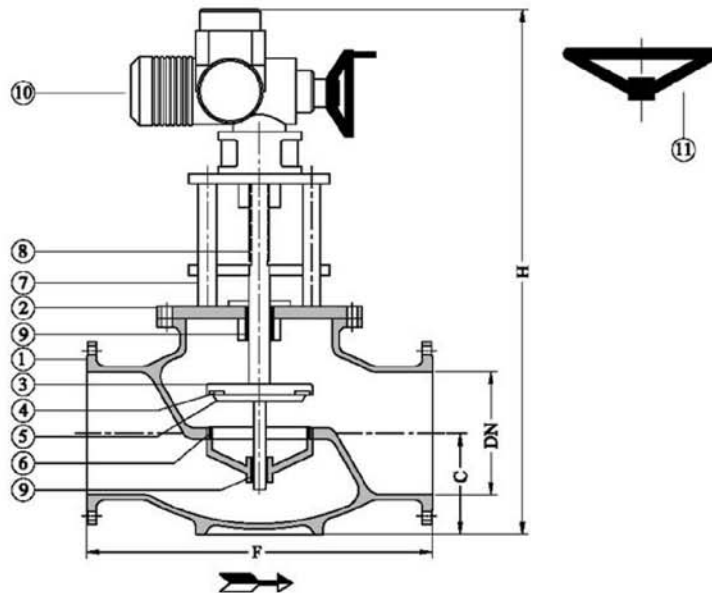
Globe Valves for Controlling Pressure and Flow: (DN: 50...1000mm, PN: 6...63bar)

- Face to face dimension according to DIN EN 558, Series 1 (DIN 3202-F1)
- Face to face dimension for DN50-125 according to the table given for valve dimensions
- Face to face dimension for fabricated steel valves according to the table given for valve dimensions
- Flange drilling for fabricated steel valves according to DIN EN 1092-1 (DIN 2501) similar with ISO 7005-1.
(The flange of valve can also be manufactured according to ANSI standard in both classes of 150&300 according to customer's order.)
- Flange drilling for ductile cast iron valves according to DIN EN 1092-2 (DIN 2501) similar with ISO 7005-2
- Multi turn actuator attachment according to ISO 5210
- Part turn actuator attachment according to ISO 5211
- Final test according to DIN EN 12266 or ISO 5208
- Coating paint: epoxy powder paint with electrostatic process



Part List, Materials and Dimensions of Ductile Cast Iron Globe Valves (without gearbox):

DN 50...150, PN 10...40bar & DN200, PN10...16bar



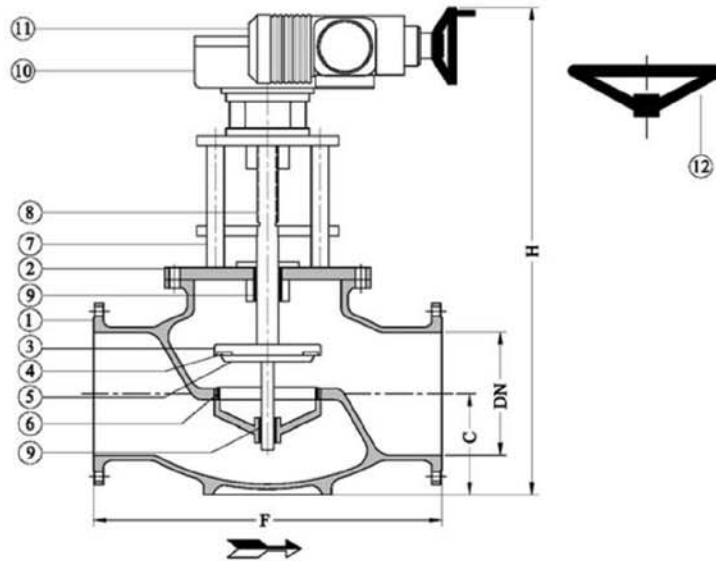
No.	Part Name	Material	No.	Part Name	Material
1	Body	GGG40 or GGG50	7	Arm	X20 Cr13
2	Cover	GGG40 or GGG50	8	Shaft	X20 Cr13
3	Disk	ST 37-2	9	Bushing	Bronze
4	Sealing Ring	NBR or EPDM	10	Actuator	—
5	Disk Retaining Ring	ST 37-2	11	Hand Wheel	GGG40
6	Seat Ring	Stainless Steel-Clad			

DN [mm]	C [mm]	H [mm]	F [mm]	Turns per travel	Weight [Kg]			
					PN10	PN16	PN25	PN40
50	100	550	290	6	48	50	55	60
65	100	550	290	8	49	50	55	63
80	110	855	310	8	70	73	77	82
100	125	880	350	8	82	85	86	95
125	150	965	480	10	140	142	145	155
150	160	975	480	10	140	145	150	165
200	200	1070	600	10	208	210	-----	-----

- Manual or electrical actuators are available.
- In the case of manual valves the value of H is reduced 100mm.
- GGG50 according to DIN EN 1693 is similar with EN-GJS-500-7 according to DIN EN 1563
- GGG40 according to DIN EN 1693 is similar with EN-GJS-400-15 according to DIN EN 1563

Part List, Materials and Dimensions of Ductile Cast Iron Globe Valves (with gearbox):

DN200, PN25, 40bar & DN250...800, PN10...40bar

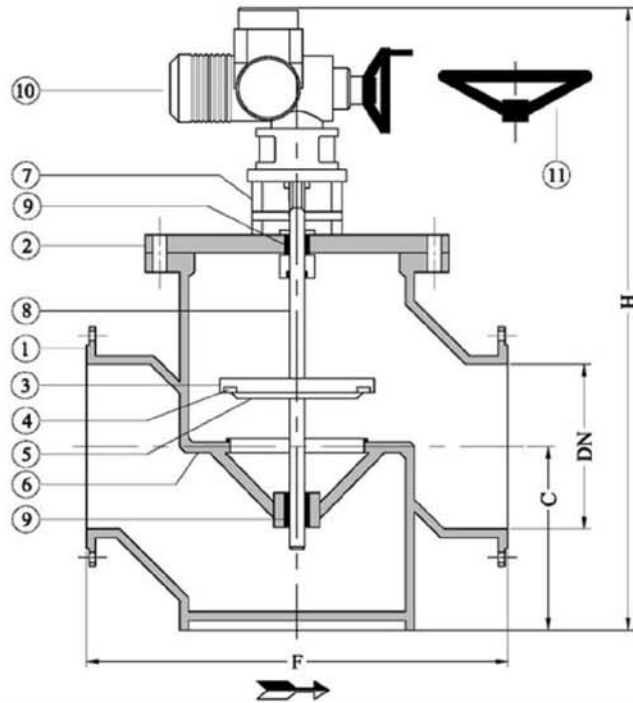


No.	Part Name	Material	No.	Part Name	Material
1	Body	GGG40 or GGG50	7	Arm	X20 Cr13
2	Cover	GGG40 or GGG50	8	Shaft	X20 Cr13
3	Disk	ST 37-2	9	Bushing	Bronze
4	Sealing Ring	NBR or EPDM	10	Gear Box	GGG40
5	Disk Retaining Ring	ST 37-2	11	Actuator	—
6	Seat Ring	Stainless Steel-Clad	12	Hand Wheel	GGG40

DN [mm]	C [mm]	H [mm]	F [mm]	Turns per travel	Weight [Kg]			
					PN10	PN16	PN25	PN40
200	200	1100	600	360	---	---	255	290
250	240	1200	730	480	332	335	345	360
300	285	1300	850	540	450	452	455	500
350	290	1530	980	490	680	700	750	---
400	330	1600	1100	490	830	835	840	---
500	420	1900	1250	590	1260	1285	1400	---
600	430	1900	1450	710	1450	1457	1465	---
700	560	2350	1650	1155	3100	3150	3270	---
800	560	2400	1850	1155	3500	3620	3750	---

- Manual or electrical actuators are available.
- In the case of manual valves the value of H is reduced 100mm.
- GGG50 according to DIN EN 1693 is similar with EN-GJS-500-7 according to DIN EN 1563
- GGG40 according to DIN EN 1693 is similar with EN-GJS-400-15 according to DIN EN 1563

Part List, Materials and Dimensions of Fabricated Steel Globe Valves (without gearbox):
DN50...150, PN10...40bar & DN200, PN10...16bar

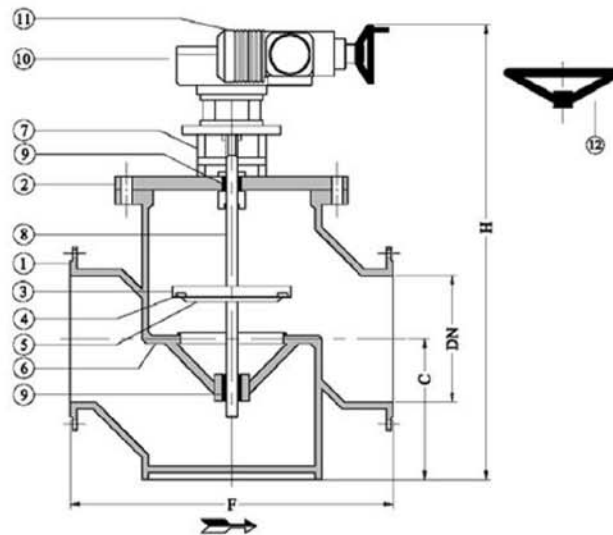


No.	Part Name	Material	No.	Part Name	Material
1	Body	ST 37-2 or ST 52-3	7	Arm	X20 Cr13
2	Cover	ST 37-2 or ST 52-3	8	Shaft	X20 Cr 13
3	Disk	ST 37-2	9	Bushing	Bronze
4	Sealing Ring	NBR or EPDM	10	Actuator	—
5	Disk Retaining Ring	ST 37-2	11	Hand Wheel	GGG40
6	Seat Ring	Stainless Steel-Clad			

DN [mm]	C [mm]	H [mm]	F [mm]	Turns per travel	Weight [Kg]			
					PN10	PN16	PN25	PN40
50	100	680	290	6	50	52	55	60
65	100	680	290	6	50	52	58	65
80	130	850	380	8	72	75	80	85
100	150	870	390	8	85	90	95	100
125	170	970	580	10	145	150	155	160
150	200	970	580	10	160	165	170	175
200	250	1135	720	10	230	240	---	---

- Manual or electrical actuators are available.
- In the case of manual valves the value of H is reduced 100mm.

Part List, Materials and Dimensions of Fabricated Steel Globe Valves (with gearbox)
DN200, PN25...40bar & DN250...1000, PN10...40bar



No.	Part Name	Material	No.	Part Name	Material
1	Body	ST 37-2 or ST 52-3	7	Arm	X20 Cr13
2	Cover	ST 37-2 or ST 52-3	8	Shaft	X20 Cr 13
3	Disk	ST 37-2	9	Bushing	Bronze
4	Sealing Ring	NBR or EPDM	10	Gear Box	GGG40
5	Disk Retaining Ring	ST 37-2	11	Actuator	—
6	Seat Ring	Stainless Steel-Clad	12	Hand Wheel	GGG40

DN [mm]	C [mm]	H [mm]	F [mm]	Turns per travel	Weight [Kg]			
					PN10	PN16	PN25	PN40
200	250	1220	720	360	---	---	270	300
250	330	1350	770	420	320	335	345	360
300	370	1450	845	510	490	495	520	530
350	470	1830	1045	490	745	760	770	775
400	520	1960	1080	540	830	840	850	860
500	550	2120	1365	635	1110	1130	1170	1300
600	650	2530	1560	660	1370	1425	1620	1720
700	730	2760	1660	960	2100	2120	2170	2220
800	800	3000	2000	1120	2850	2885	2970	3240
900	900	3200	2300	1120	3550	3620	----	----
1000	960	3350	2400	1216	3940	4170	----	----

- Manual or electrical actuators are available.
- In the case of manual valves the value of H is reduced 100mm.