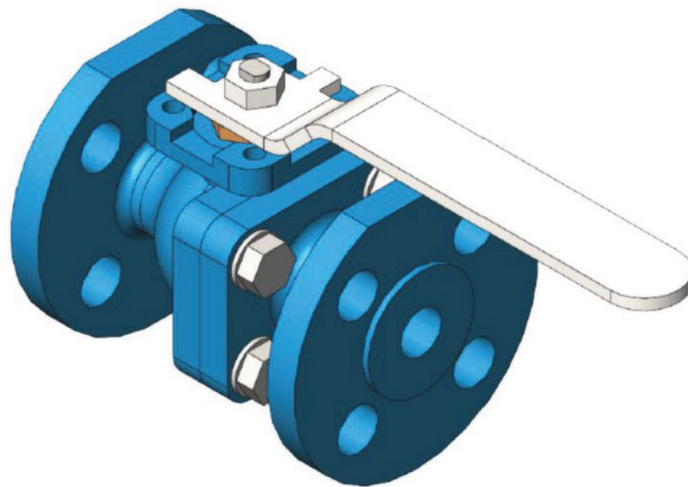


**Flanged 2 Piece Floating Full Bore Ball Valves**  
**Flanged 2 Piece Floating Reduced Bore Ball Valves**



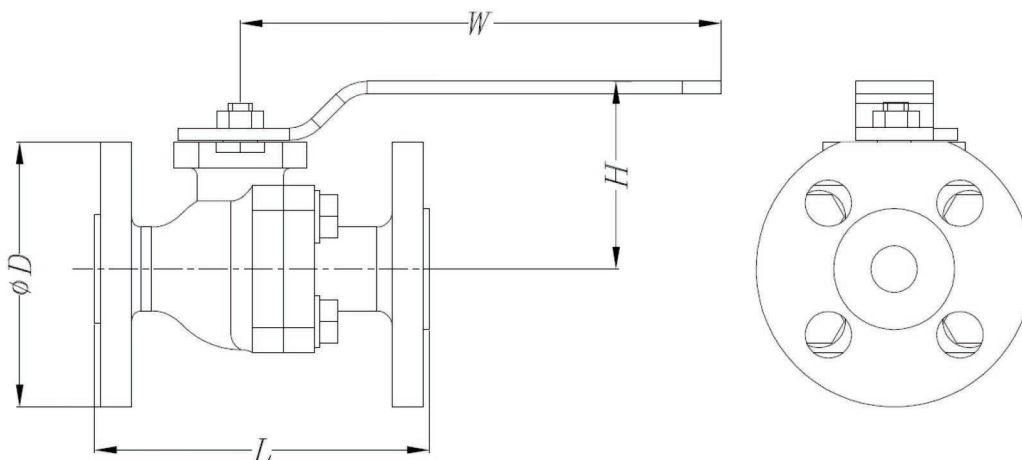
**DN 15-40 PN 10-16 / Class150**

- Design according to: API608, API6D
- Face to face dimension according to: BS2080(BS5351)
- Flange drilling according to: ASME B16.5, ISO7005-2, DIN EN1092-2
- Final inspection and test according to: ISO 5208, DIN EN 12266, API 598
- Direct Mount Actuator according to ISO5211
- Coating: Epoxy Powder Paint with Electrostatic Process-RAL 5005
- Available Material:
  - Body: ASTM A216WCB, CF8M, ASTM B148 (C95800)
  - Ball: AISI420, AISI304, AISI316, CF8M, CF8, Duplex
  - Shaft: AISI420, AISI304, AISI316, Duplex
  - Sealing: PTFE, RPTFE, NBR, EPDM, Silicon, Viton
  - Seat: AISI420, AISI304, AISI316, Duplex

**\*\*Valves with special material are manufactured according to customer requirement.**

**Flanged 2 Piece Floating Full & Reduced Bore Ball Valves DN 15-40 PN 10,16 / Class 150**

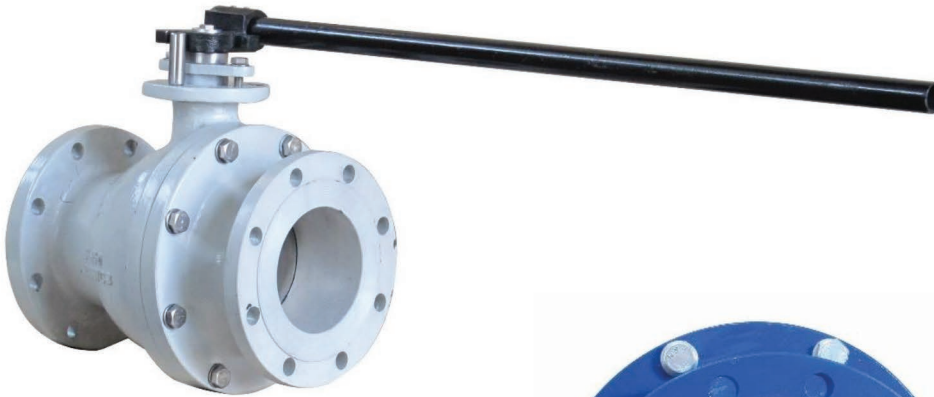
PN (bar)	Hydrostatic test pressure in bar with water		
	shell	high pressure closure	low pressure closure
10	15	11	4 to 7
16	24	18	4 to 7
Class 150	30	22	4 to 7



DN	ØD[mm]		L [mm]	W [mm]	H [mm]	Weight [kg]	
	PN 10-16	Class 150				PN 10-16	Class 150
15	95	90	108	160	80	2.5	2.5
20	105	100	117	160	80	3	3
25	115	110	127	200	110	4	4
32	140	115	140	200	110	6	5
40	150	125	165	250	130	8	6.5

## Flanged 2 Piece Floating Full Bore Ball Valves

## Flanged 2 Piece Floating Reduced Bore Ball Valves



DN 50-150 PN 10,16 / Class 150



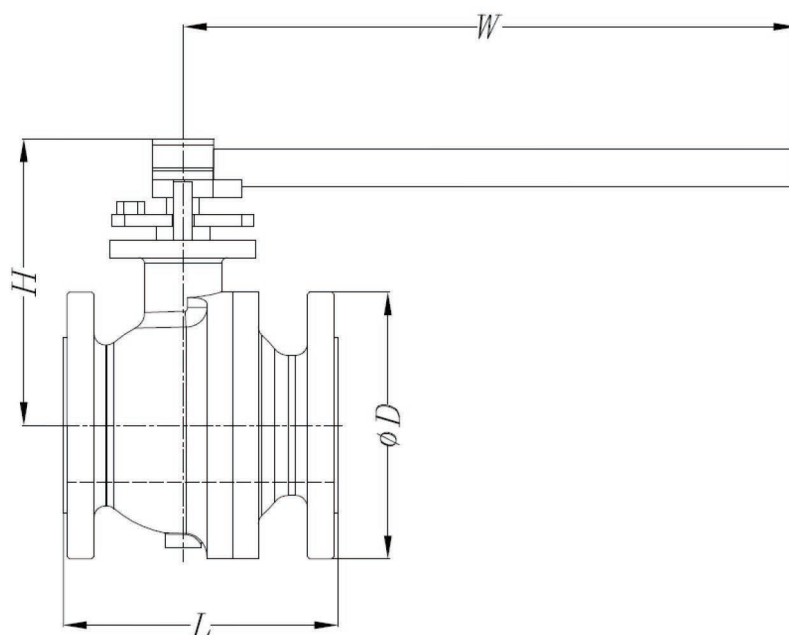
DN 200-300 PN 10,16 / Class 150

- Design according to: API608, API6D
- Face to face dimension according to: API6D
- Flange drilling according to: ASME B16.5, ISO7005-2, DIN EN1092-2
- Final inspection and test according to: ISO 5208, DIN EN 12266, API 598
- Direct Mount Actuator according to ISO5211
- Coating: Epoxy Powder Paint with Electrostatic Process-RAL 5005
- Available Material:
  - Body: ASTM A216WCB, CF8M, CF8, Duplex, EN GJS400-15, ASTM B148 (C95800)
  - Ball: AISI420, AISI304, AISI316, CF8M, CF8, Duplex
  - Shaft: AISI420, AISI304, AISI316, Duplex
  - Sealing: PTFE, RPTFE, NBR, EPDM, Silicon, Viton
  - Seat: AISI420, AISI304, AISI316, Duplex

\*\*Valves with special material are manufactured according to customer requirement.

## Flanged 2 Piece Floating Full & Reduced Bore Ball Valves DN 50-150 PN 10-16, Class 150

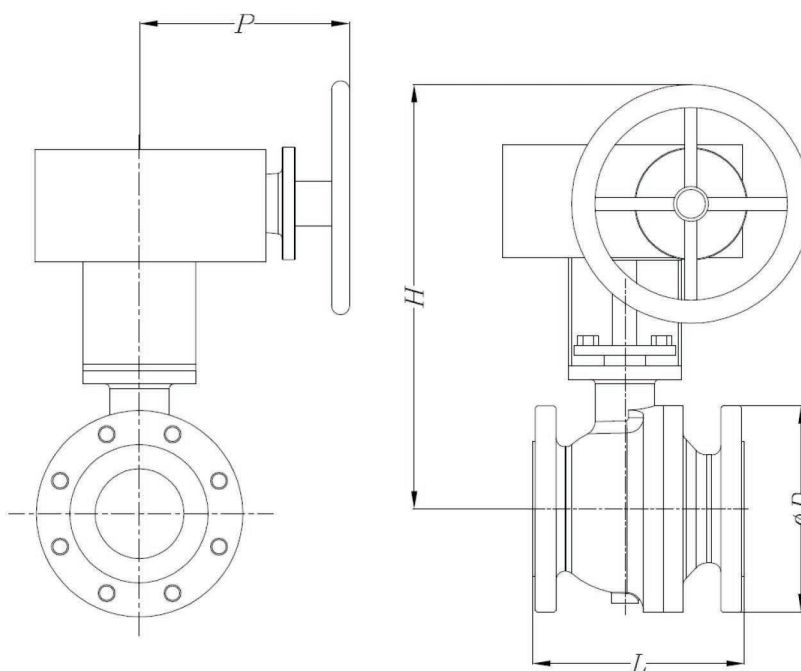
PN (bar)	Hydrostatic test pressure in bar with water		
	shell	high pressure closure	low pressure closure
10	15	11	4 to 7
16	24	18	4 to 7
Class 150	30	22	4 to 7



DN	ØD[mm]		L [mm]	W [mm]	H [mm]	Weight [kg]	
	PN 10-16	Class 150				PN 10-16	Class 150
50	165	152	178	250	110	13	12
65	185	178	191	300	145	19	18
80	200	190	203	600	190	24	23
100	220	229	229	800	210	42	44
125	250	255	356	900	260	64	65
150	285	279	394	1000	270	95	90

**Flanged 2 Piece Floating Full & Reduced Bore Ball Valves DN 200-300 PN 10,16 / Class 150**

PN (bar)	Hydrostatic test pressure in bar with water		
	shell	high pressure closure	low pressure closure
10	15	11	4 to 7
16	24	18	4 to 7
Class150	30	22	4 to 7



DN	ØD[mm]			L [mm]	P [mm]	H [mm]	Weight [kg]		
	PN10	PN16	Class150				PN 10	PN 16	Class 150
200	340	340	343	457	230	550	152	152	152
250	395	405	406	533	270	645	167	175	175
300	445	460	483	610	400	755	185	190	205