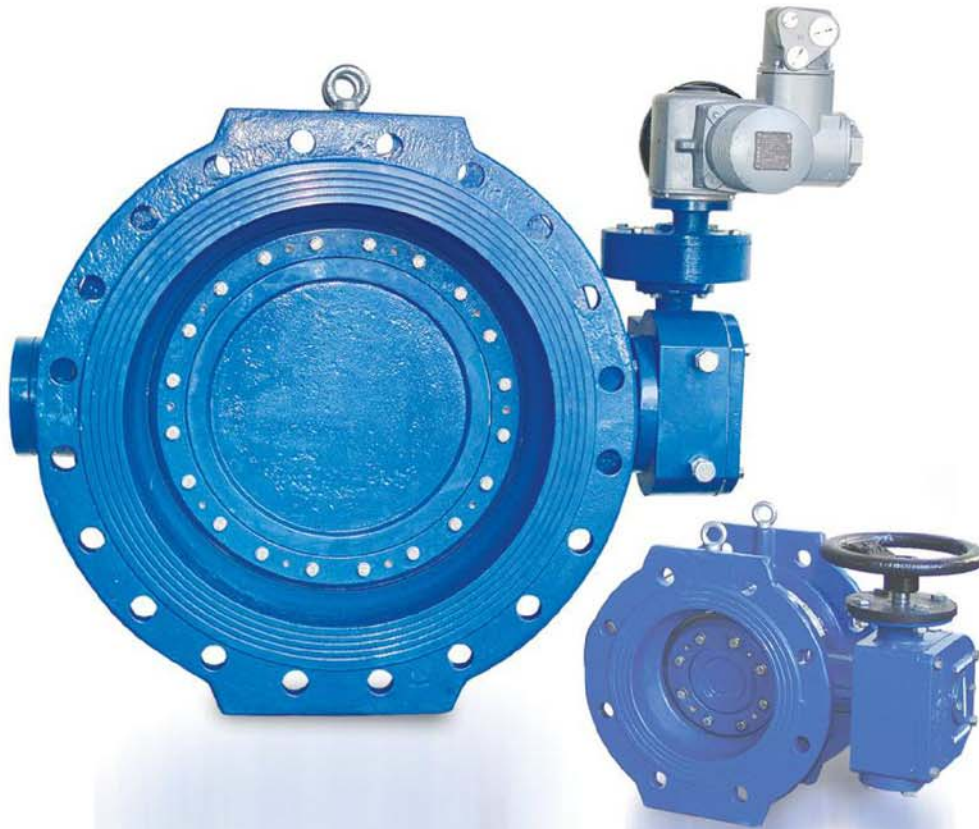
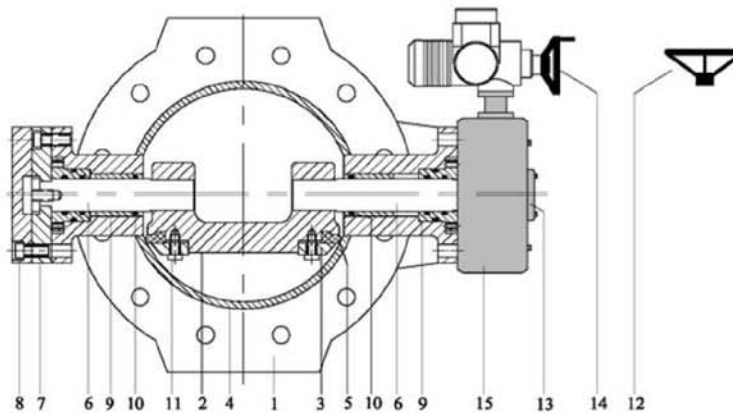
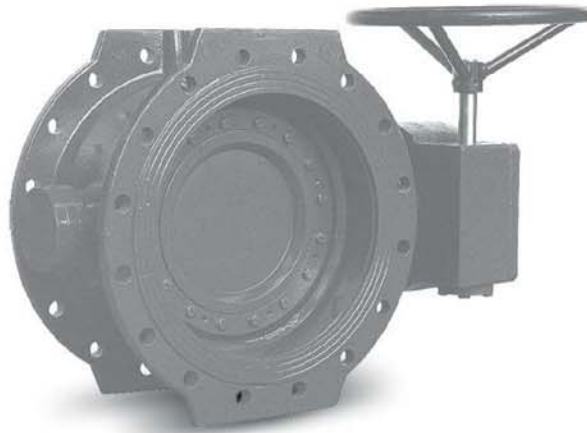


Ductile Cast Iron Butterfly Valves (DN: 100...2000mm, PN: 6...25bar)

- Valve design according to DIN EN593(DIN3354)
- Face to face dimension according to DIN EN 558, Series14 (DIN 3202-F4)
- Flange drilling according to DIN EN 1092-2 (DIN 2501) similar with ISO 7005-2
- Multi turn actuator attachment according to ISO 5210
- Part turn actuator attachment according to ISO 5211
- Final test according to DIN EN12266 or ISO 5208
- Coating paint: epoxy powder paint with electrostatic process



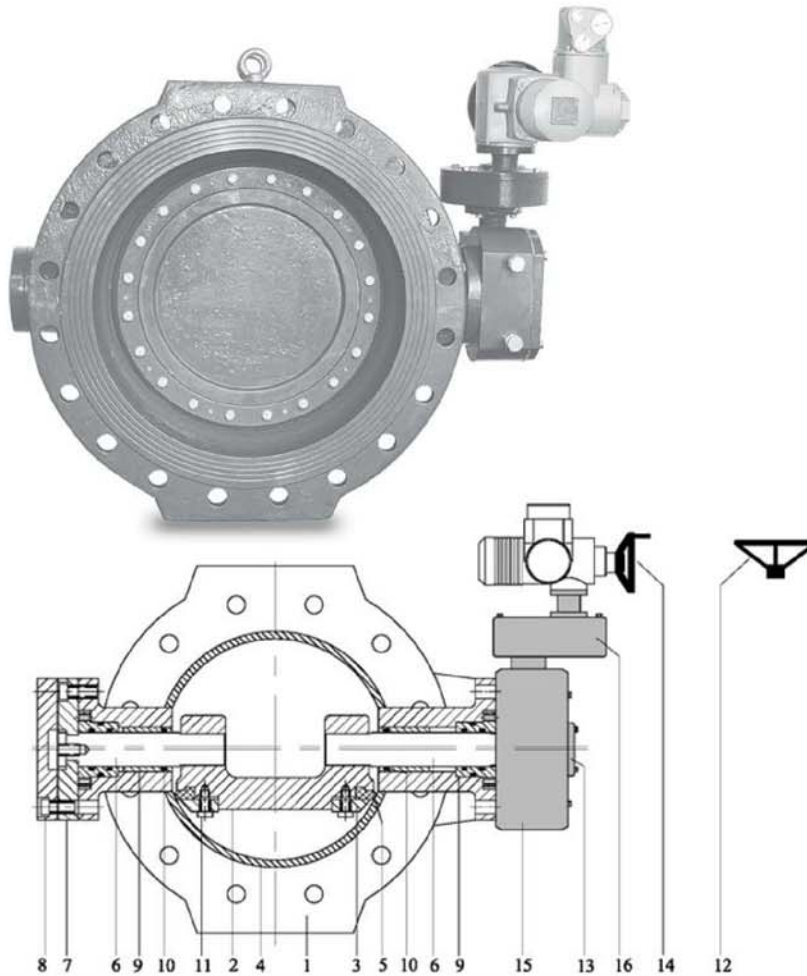
Part List and Materials of Ductile Cast Iron Butterfly Valves with Single Gearbox:



No.	Part Name	Material	No.	Part Name	Material	
1	Body	GGG40 or GGG50	10	O-Ring	NBR	
2	Disk	GGG40 or GGG50	11	Screw	Stainless Steel (A2)	
3	Disk Retaining Ring	GGG40 or GGG50	12	Hand wheel	GGG 40	
4	Sealing Seat	Stainless Steel-Clad	13	Pointer	GGG 40	
5	Sealing Ring	NBR or EPDM	14	Actuator	—	
6	Shaft	X20 Cr13	15	Gearbox	Worm Gear	GGG 50
7	Bearing Adjusting Plate	GGG40 or GGG50			Worm	CK 45
8	Bearing Cover	GGG40 or GGG50			Body/Cover	GGG 40
9	Bushing	Bronze			Bushing	Bronze

- Manual or electrical actuators are available.
- GGG50 according to DIN EN 1693 is similar with EN-GJS-500-7 according to DIN EN 1563
- GGG40 according to DIN EN 1693 is similar with EN-GJS-400-15 according to DIN EN 1563

Part List and Materials of Ductile Cast Iron Butterfly Valves with Double Gearbox:

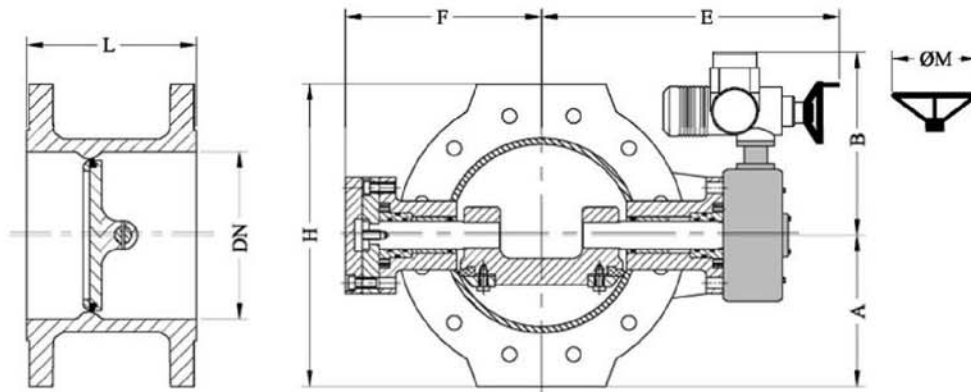


No.	Part Name	Material	No.	Part Name	Material	
1	Body	GGG40 or GGG50	12	Hand wheel	GGG 40	
2	Disk	GGG40 or GGG50	13	Pointer	GGG 40	
3	Disk Retaining Ring	GGG40 or GGG50	14	Actuator	—	
4	Sealing Seat	Stainless Steel-Clad	15	Main Gearbox	Worm Gear	GGG 50
5	Sealing Ring	NBR or EPDM			Worm	CK 45
6	Shaft	X20 Cr13			Body/Cover	GGG 40
7	Bearing Adjusting Plate	GGG40 or GGG50			Bushing	Bronze
8	Bearing Cover	GGG40 or GGG50	16	Reducing Gearbox(II) (Type : Spur Gear)	Gear	GGG 50
9	Bushing	Bronze			Pinion	X20 Cr 13
10	O-Ring	NBR			Body/Cover	GGG 40
11	Screw	Stainless Steel (A2)			Bushing	Bronze

- Manual or electrical actuators are available.
- GGG50 according to DIN EN 1693 is similar with EN-GJS-500-7 according to DIN EN 1563
- GGG40 according to DIN EN 1693 is similar with EN-GJS-400-15 according to DIN EN 1563

Ductile Cast Iron Butterfly Valves (DN100...2000, PN10)

DN [mm]	PN [bar]	Hydrostatic test pressure in bars for:	
		Body (water)	Seat (water)
100-2000	10	15	11

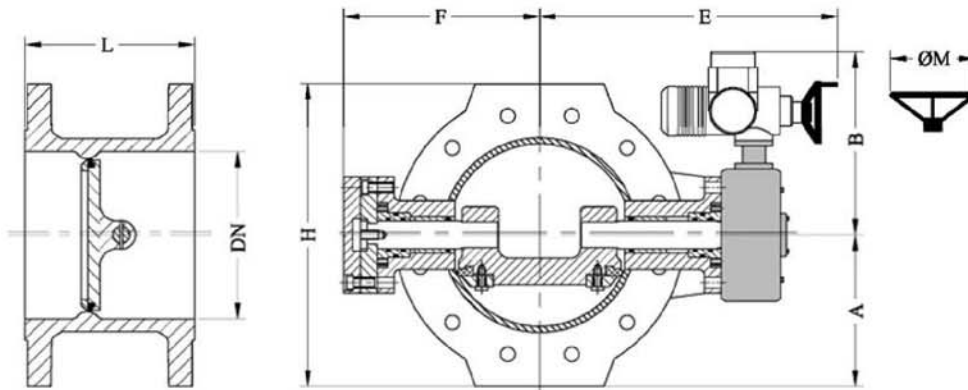


DN [mm]	L [mm]	A [mm]	B [mm]	H [mm]	ØM [mm]	E [mm]	F [mm]	Turns per travel	Input torque [N.m]	Weight [Kg]
100	190	115	385	230	160	425	150	8	20-30	30
125	190	130	385	260	160	435	160	8	20-30	35
150	210	147	385	294	160	455	170	8	20-30	42
200	230	175	420	350	200	500	205	12	20-30	70
250	250	205	420	410	200	530	225	12	40-50	85
300	270	232	445	464	250	595	270	18	40-50	125
350	290	265	445	530	300	625	285	18	40-50	160
400	310	288	465	576	300	645	315	22	40-50	190
450	330	312	600	624	250	690	385	90	40-50	295
500	350	340	600	680	300	715	410	90	40-50	305
600	390	395	600	790	300	780	470	90	40-50	440
700	430	455	645	910	300	840	520	138	40-50	640
800	470	515	645	1030	400	880	575	138	80-90	825
900	510	565	645	1130	400	930	620	138	80-90	980
1000	550	630	720	1260	400	1025	700	145	80-90	1400
1200	630	740	935	1480	400	1180	820	444	80-90	2070
1400	710	845	935	1690	400	1290	980	444	80-90	3300
1600	790	965	995	1930	400	1475	1105	507	80-90	4600
1800	870	1065	995	2130	400	1555	1215	507	200-230	6200
2000	950	1180	995	2360	400	1655	1420	507	200-230	7500

- Manual or electrical actuators are available.
- In the case of manual valves the value of B is reduced 100mm.
- Valves with nominal diameter larger than 450mm are equipped with double gearbox.

Ductile Cast Iron Butterfly Valves (DN100...2000, PN16)

DN	PN	Hydrostatic test pressure in bars for:	
		Body (water)	Seat (water)
100-2000	16	24	17.6

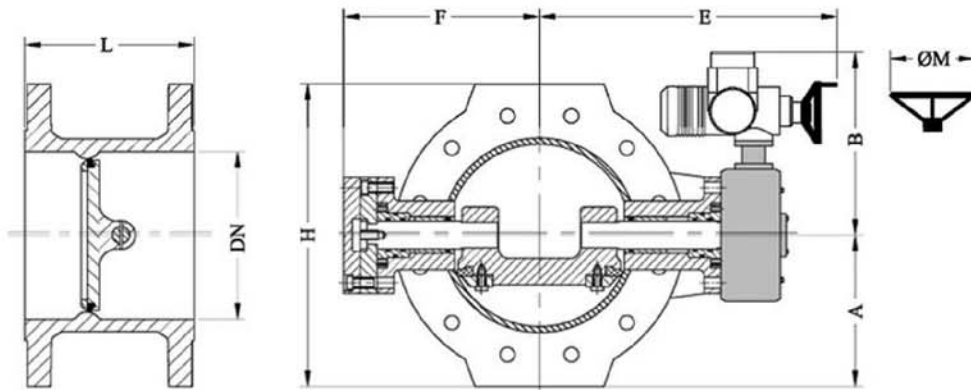


DN [mm]	L [mm]	A [mm]	B [mm]	H [mm]	ØM [mm]	E [mm]	F [mm]	Turns per travel	Input torque [N.m]	Weight [Kg]
100	190	115	385	230	160	425	150	8	20-30	30
125	190	130	385	260	160	435	160	8	20-30	36
150	210	150	385	300	160	455	170	8	20-30	44
200	230	175	420	350	200	500	205	12	20-30	72
250	250	205	420	410	200	530	225	12	40-50	88
300	270	232	445	464	250	595	270	18	40-50	130
350	290	265	445	530	300	625	285	18	40-50	165
400	310	295	465	590	300	645	315	22	40-50	210
450	330	325	600	650	250	690	385	90	40-50	310
500	350	362	600	724	300	715	410	90	40-50	320
600	390	425	600	850	300	780	470	90	40-50	465
700	430	460	645	920	300	840	520	138	80-90	660
800	470	520	645	1040	400	880	575	138	80-90	850
900	510	570	645	1140	400	930	620	138	80-90	1060
1000	550	635	720	1270	400	1025	700	145	80-90	1535
1200	630	750	935	1500	400	1180	820	444	80-90	2360
1400	710	850	935	1700	400	1290	980	444	80-90	3500
1600	790	970	995	1940	400	1475	1105	507	200-230	4800
1800	870	1070	995	2140	400	1555	1225	507	200-230	6400
2000	950	1200	995	2400	400	1655	1450	507	200-230	7700

- Manual or electrical actuators are available.
- In the case of manual valves the value of B is reduced 100mm.
- Valves with nominal diameter larger than 400mm are equipped with double gearbox.

Ductile Cast Iron Butterfly Valves (DN100...2000, PN25)

DN	PN	Hydrostatic test pressure in bars for:	
		Body (water)	Seat (water)
100-600	25	37.5	27.5



DN [mm]	L [mm]	A [mm]	B [mm]	H [mm]	ØM [mm]	E [mm]	F [mm]	Turns per travel	Input torque [N.m]	Weight [Kg]
100	190	122	385	244	160	425	150	8	20-30	35
125	190	140	385	280	160	435	160	8	20-30	40
150	210	155	385	310	160	455	170	8	20-30	47
200	230	185	420	370	200	500	205	12	20-30	80
250	250	218	420	436	200	530	225	12	40-50	100
300	270	248	445	496	250	595	270	18	40-50	140
350	290	285	445	570	300	625	285	18	40-50	185
400	310	315	465	630	250	645	315	90	80-90	240
450	330	340	600	680	250	690	385	90	80-90	340
500	350	370	645	740	300	725	410	138	80-90	370
600	390	428	645	856	300	790	470	138	80-90	515

- Manual or electrical actuators are available.
- In the case of manual valves the value of B is reduced 100mm.
- Valves with nominal diameter larger than 400mm are equipped with double gearbox.