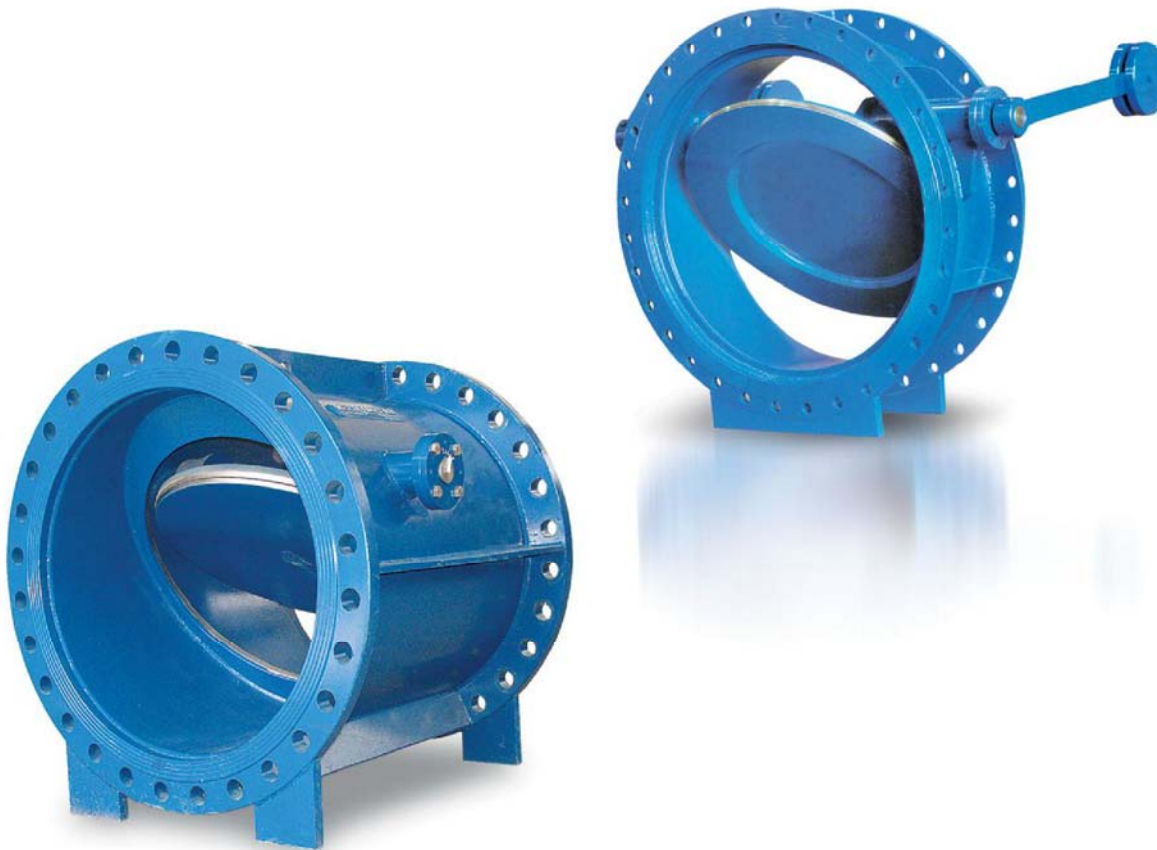
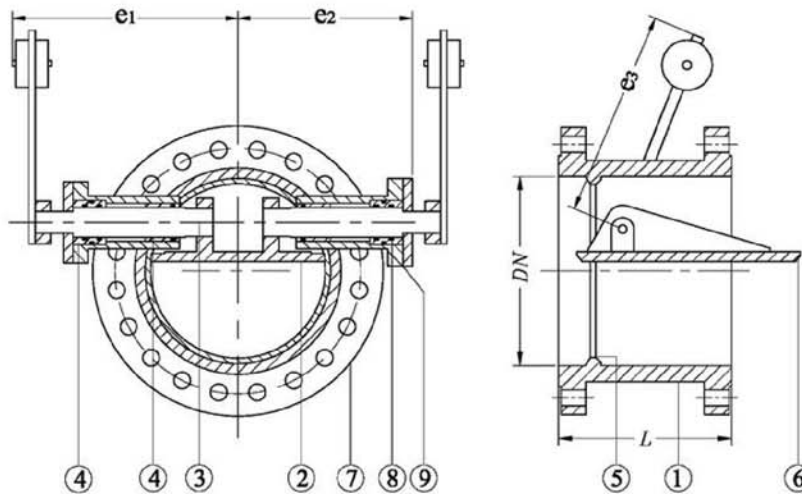


Check Valves, Tilting Disk (DN: 200...2000mm, PN: 6...63bar)

- Face to face dimension according to DIN EN 558, Series 14 (DIN 3202-F4)
- Flange drilling according to DIN EN 1092-1 (DIN 2501) similar with ISO 7005-1
(The flange of valve can also be manufactured according to ANSI standard in both classes of 150&300 according to customer's order.)
- Final test according to DIN EN 12266 or ISO 5208
- Coating paint: epoxy powder paint with electrostatic process



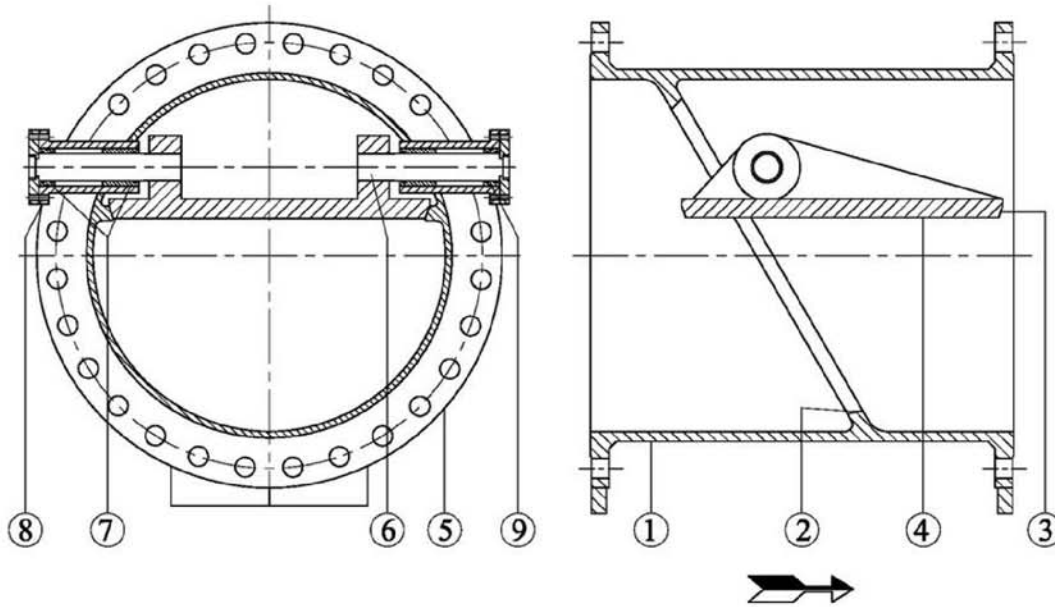
Part List, Materials and Dimensions of Check Valves, Tilting Disk:



No.	Part Name	Material	No.	Part Name	Material
1	Body	ST 37-2 or ST 52-3	6	Disk Trim	Stainless Steel Clad
2	Disk	ST 37-2 or ST 52-3	7	Body Flange	ST 37-2 or ST 52-3
3	Shaft	X20 Cr13	8	O- Ring	NBR
4	Bushing	Bronze	9	Body Bearing	ST 37-2
5	Body Trim	Stainless Steel Clad			

DN [mm]	L(Long) [mm]	L(Short) [mm]	e ₁ [mm]	e ₂ [mm]	e ₃ [mm]	Weight [Kg]			
						PN10	PN16	PN25	PN40
200	230	152	250	200	250	60	60	70	80
250	250	165	295	240	250	75	85	90	105
300	270	178	360	280	300	110	110	130	150
350	290	190	400	310	300	120	125	135	160
400	310	216	440	350	300	140	150	180	190
450	330	222	460	370	400	160	165	180	230
500	350	229	480	380	400	200	230	245	290
600	390	267	550	450	500	290	340	365	405
700	430	292	620	550	600	430	460	560	600
800	470	318	700	600	700	620	625	700	750
900	510	330	850	650	700	760	810	900	1020
1000	550	410	920	700	800	910	1000	1110	1260
1200	630	470	990	750	900	1115	1345	1390	1570
1400	710	530	1050	840	1000	2200	2400	2700	2950
1600	790	600	1250	1000	1100	3000	3400	3800	4050
1800	870	670	1400	1150	1200	3850	4250	4620	5120
2000	950	760	1550	1250	1300	4850	5520	5930	6280

Part List and Materials of Slanted Seat, Tilting Disk Check Valve:



No.	Part Name	Material	No.	Part Name	Material
1	Body	ST 37-2 or ST 52-3	6	Shaft	X20 Cr13
2	Body Trim	Stainless Steel Clad	7	Bushing	Bronze
3	Disk Trim	Stainless Steel Clad	8	Body Bearing	ST 37-2
4	Disk	ST 37-2 or ST 52-3	9	O- Ring	NBR
5	Body Flange	ST 37-2 or ST 52-3			

MECHANIC AB slanted seat, tilting disk check valves are produced with DN200-2000 and PN6-63.
 If there is any for dimensions of these valve contact MECHANIC AB.