

Flanged Butterfly Valves Rubber-Lined Short Pattern (Centric Disk)

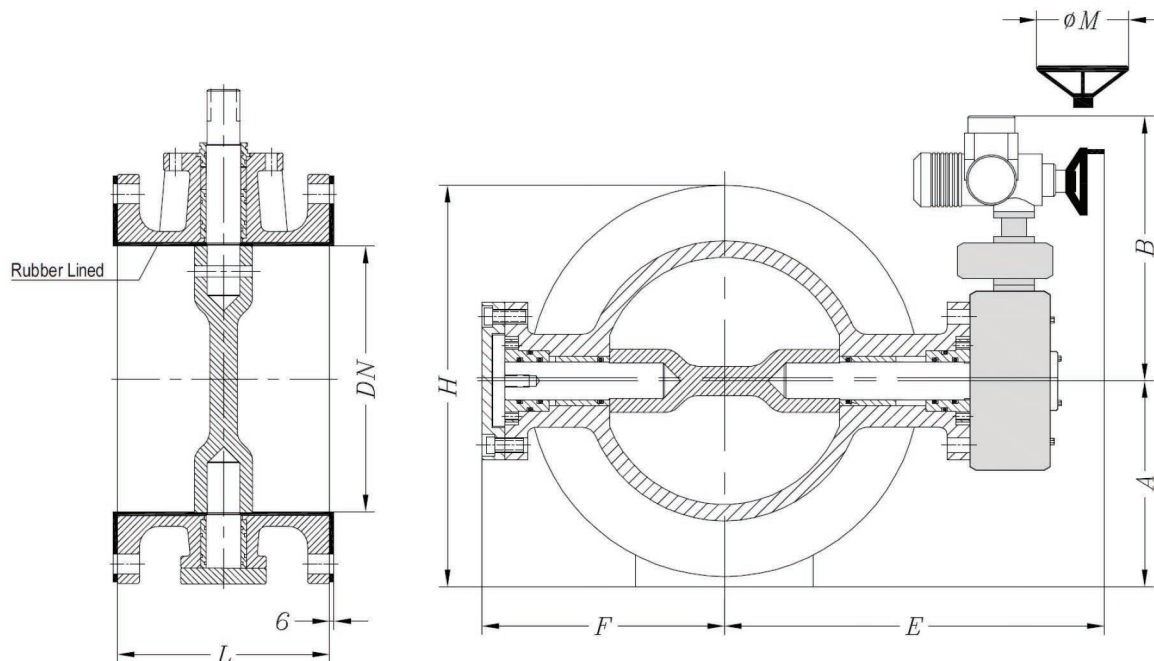


DN 250-1400 PN 10/16

- Flange drilling according to: ISO 7005-2, DIN EN 1092-2, ASME B16.5 & B16.47
- Face to face dimension according to: DIN EN 558-Series13 (DIN 3202-F16)
- Final inspection and test according to: ISO 5208, DIN EN 12266, API 598
- Coating: Epoxy Coating or polyurethane Coating
- Available Material:
 - Body: EN GJS 400-15 Rubber Lined, EN GJS 500-7 Rubber Lined, ASTM A216-WCB Rubber Lined
 - Disk: EN GJS 400-15, CF8, CF8M, ASTM B148 (C95800)
 - Shaft: AISI 420, AISI304, AISI 316, Monel, Duplex
 - Sealing: EPDM, NBR, Silicon, Viton

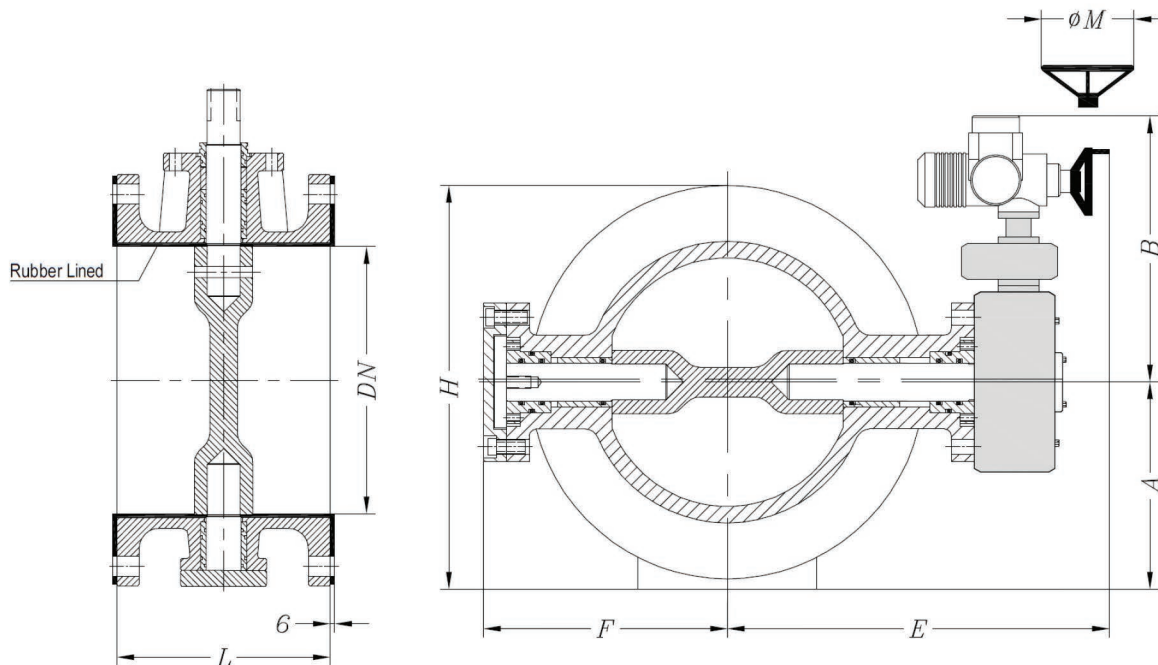
**Valves with special material are manufactured according to customer requirement.

Flanged Butterfly Valves Rubber-Lined Short Pattern (Centric Disk)
DN 250-1400 PN 10



DN [mm]	L(Short) [mm]	A [mm]	B [mm]	H [mm]	ØM [mm]	E [mm]	F [mm]	Turns per travel	Input torque [N.m]	Weight [Kg]
250	165	218	420	436	200	530	225	12	25-30	260
300	178	248	445	496	250	595	270	12	25-30	310
350	190	265	445	530	300	625	285	18	50-60	360
400	216	288	465	576	300	645	315	18	50-60	410
450	222	312	600	624	250	690	385	90	50-60	460
500	229	340	600	680	300	715	410	90	50-60	510
600	267	395	600	790	300	780	470	90	50-60	610
700	292	530	645	1010	400	840	520	108	50-60	730
800	318	595	620	1135	400	955	640	108	50-60	1150
900	330	645	620	1235	400	995	660	108	100-120	1430
1000	410	710	835	1370	400	1080	730	145	100-120	1500
1200	470	470	835	1580	400	1195	850	280	100-120	1610
1400	530	530	895	1805	400	1420	965	280	100-120	2300

Flanged Butterfly Valves Rubber-Lined Short Pattern (Centric Disk)
DN 250-1400 PN 16



DN [mm]	L(Short) [mm]	A [mm]	B [mm]	H [mm]	ΦM [mm]	E [mm]	F [mm]	Turns per travel	Input torque [N.m]	Weight [Kg]
250	165	218	420	436	200	530	225	12	25-30	260
300	178	248	445	496	250	595	270	12	25-30	310
350	190	265	445	530	300	625	285	18	50-60	360
400	216	288	465	576	300	645	315	18	50-60	410
450	222	312	600	624	250	690	385	90	50-60	460
500	229	340	600	680	300	715	410	90	50-60	510
600	267	395	600	790	300	780	470	90	50-60	610
700	292	530	645	1010	400	840	520	108	50-60	730
800	318	595	620	1135	400	955	640	108	50-60	1150
900	330	645	620	1235	400	995	660	108	100-120	1430
1000	410	710	835	1370	400	1080	730	145	100-120	1500
1200	470	470	835	1580	400	1195	850	280	100-120	1610
1400	530	530	895	1805	400	1420	965	280	100-120	2300